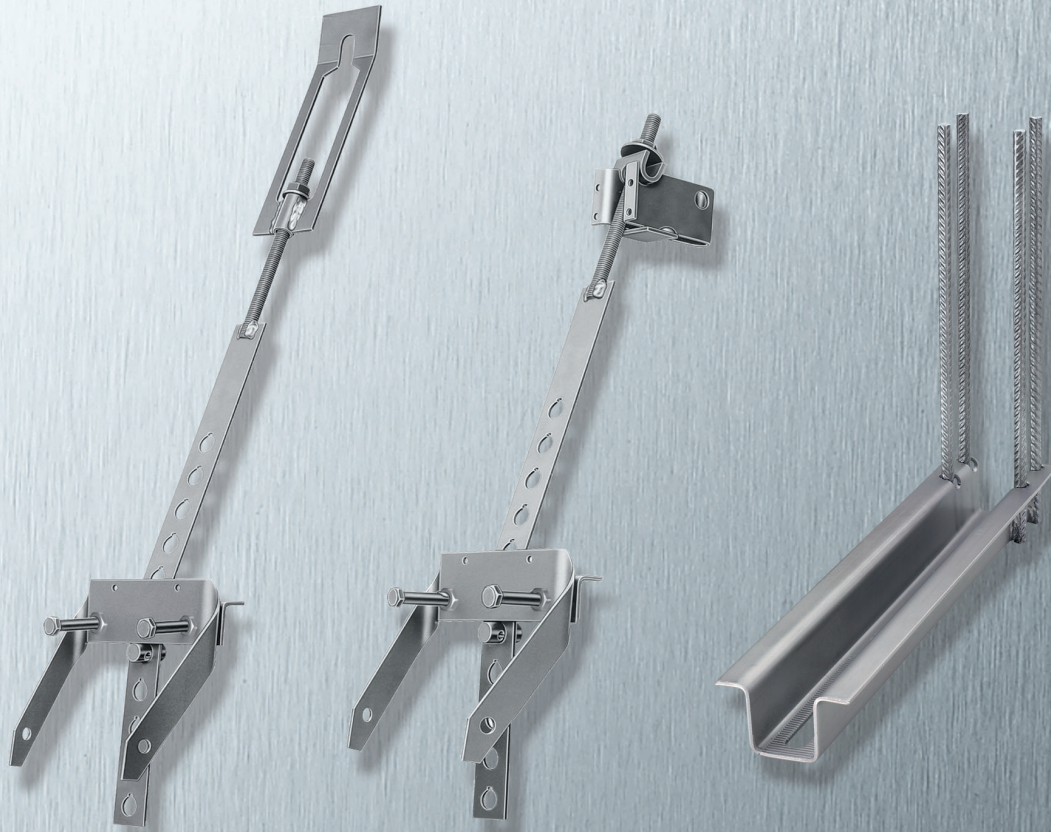


# HALFEN CONCRETE FAÇADE ANCHOR SYSTEMS

## TECHNICAL PRODUCT INFORMATION



HALFEN PRECAST PANEL ANCHORS

FB 16-E

FAÇADE

**NEW!**

- CE marking acc. to EN 1090-1, EN 1090-2 for FPA and BRA
- Larger wall cavity
- Standard solution FPA-5S for lateral installation to columns
- FPA-Software with integrated FE kernel
- BRA-L4 Parapet corbel in Lean Duplex



**HALFEN**  
YOUR BEST CONNECTIONS



# HALFEN CONCRETE FAÇADE ANCHOR SYSTEMS

Global Market Leader in Fixing Systems for Concrete Façades



German Federal Ministry for environment, nature conservation and reactor safety, Berlin  
(Bundesministerium für Umwelt, Naturschutz und Reaktorsicherheit)

Product: HALFEN FPA,  
HALFEN DS



Alexa Shopping Centre,  
Berlin

Product: HALFEN FPA,  
HALFEN DS



## Certified HALFEN Quality



The RAL Quality Mark GZ 996 is only awarded to companies that fulfil the high requirements of "Quality and Control Regulations for Façades Fixing Technology". Biannual assessment by the independent experts at German Lloyd guarantees the high requirements on product quality and related services are maintained. Included in the quality control are specifications, quality management, logistics, technical support, technical documents, software, guarantee services and tender documents.

**At present the following products from the HALFEN product range "Concrete pre-cast systems" have been RAL certified:**

Parapet corbels • Spacer bolts • Precast panel anchor • Sandwich panel flat anchor • Sandwich panel sleeve anchor • Sandwich panel anchor

# HALFEN CONCRETE FAÇADE ANCHOR SYSTEMS

## Contents

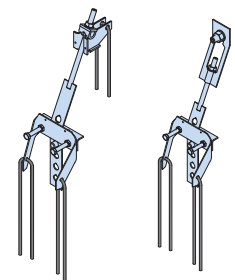
### General

-	Software	4
-	Basics of design	5



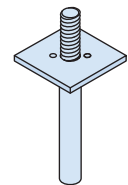
### Precast panel anchors

-	FPA-3	6
-	FPA-5, FPA-5Z	8
-	FPA-5A	9
-	FPA-5AZ	10
-	FPA-5S	11
-	Anchor design	12
-	Dimension tables for perforated straps	13
-	Installation of the FPA-3 and FPA-5 Façade panel anchors	16
-	Mounting of the FPA-3 and FPA-5 Façade panel anchors	17



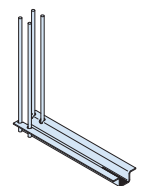
### Top fixing dowels

-	WPA-A, WPA-B Top fixing dowels	18
-	Anchor dimensioning	18
-	Assembly and installation instructions	19



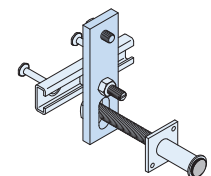
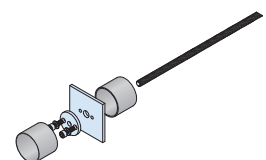
### Parapet corbels

-	BRA-L4 Parapet corbels	20
-	Dimensioning	22
-	Assembly and installation instructions	23
-	Installation accessories	25



### Horizontal anchorage / Dowel restraints

-	Type overview	27
-	Spacer bolts	28
-	Dimensions of spacer bolts	29
-	Load capacities of spacer bolts	30
-	LD Adjustable restraint	31
-	SPV Restraint with turnbuckle	33
-	WDK Wind anchor	34
-	WDI Wind anchor	35
-	HKZ Restraint tie	36
-	HFV Dowel restraints	38
-	ULZ Universal tie	41

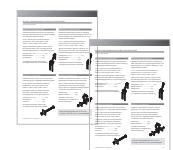


### Building physics

-	Building physics	44
---	------------------	----

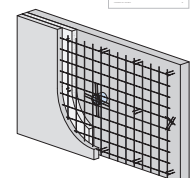
### Invitation to tender

-	FPA-3 / FPA-5 / DS 13 / LD	45
-	HFV (plastic / stainless) / BRA-N / BRA-NJ	46



### Other HALFEN Systems for concrete façades

-	Sandwich panel anchors	47
-	Lifting anchor systems	47



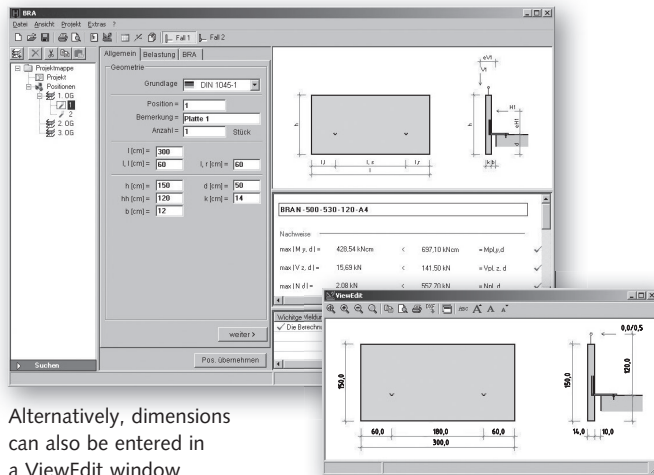
# HALFEN CONCRETE FAÇADE ANCHOR SYSTEMS

## Software

### HALFEN Calculation programs help to shorten planning time

The HALFEN BRA and FPA Dimensioning programs are user-friendly and easy to learn.

Façade dimensions, parapet slab dimensions, selection of anchor types and other options are entered for calculation.



Alternatively, dimensions can also be entered in a ViewEdit window.

#### BRA calculation result:

- parapet corbel profile description
- loads per profile
- anchor recommendation
- printout of the results with a drawing
- printout of the static calculation

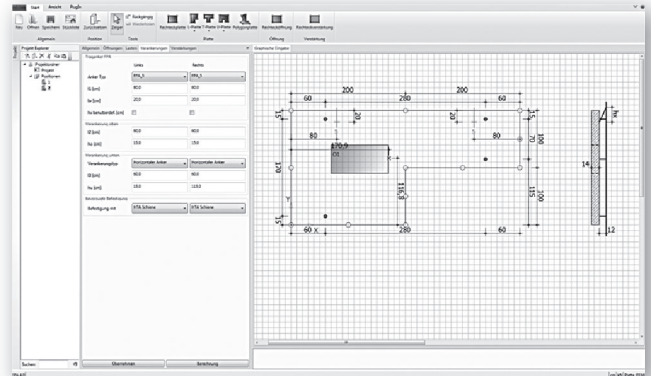
#### New features in the BRA-Software:

**NEW!**

- stainless-steel reinforcement option allows thinner parapet design
- variable entry of concrete cover
- integrated tool for wind loads



All HALFEN Software has easy to use online help; including the FPA and the BRA program.



#### FPA calculation result:

- description of the calculated anchorage type
- loads per anchor
- description of the spacer bolts or the dowel restraint fitting
- loads for horizontal restraints
- wind-suction protection where required
- printout of the results incl. a drawing

#### New features in the FPA-Software:

**NEW!**

- dimensioning of non-symmetrical slab geometry and anchor layout with the integrated FE kernel
- enlarged wall cavities for FPA bolts and spacer bolts
- integration of all accessories (horizontal restraints, suction protection, fastening devices)
- default slab shapes (U, L, T, etc.)
- output of parts listed separately as installation (precast) and (on-site) assembly parts
- integrated tool for wind loads
- transfer of dowel restraint load data
- element plan with anchor positions and type identification

You can download all HALFEN programs from the Internet under [www.halfen.com/downloads](http://www.halfen.com/downloads) or order our latest "Dimensioning software" DVD free of charge by post.





# HALFEN CONCRETE FAÇADE ANCHOR SYSTEMS

Global Market Leader in Fixing Systems for Concrete Façades

## Safe and economical planning

In this catalogue, you will find all the necessary planning, calculation information and details required for the constructive design of concrete façades as well as information for suitable anchors and installation accessories.



If required the HALFEN team is available with its extensive experience and comprehensive range of products to assist all the way through to final installation. This includes initial planning, static consultation and comprehensive calculation.

In addition to our technicians, our support and consultation team who are able to personally assist with your

projects, HALFEN also provides easy to use software to help calculate your projects.

*HALFEN products provide safety, quality and protection for you and your company.*

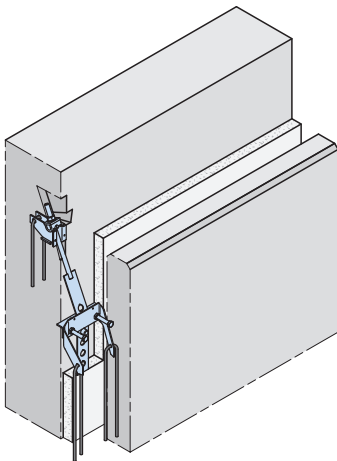


## Basic planning information for concrete façades

Innovative production methods in precast concrete plants and up to date self-compacting concrete allow contemporary surface textures and therefore, high quality, economical functional and good quality precast-concrete components.

### 1. Suspended panels

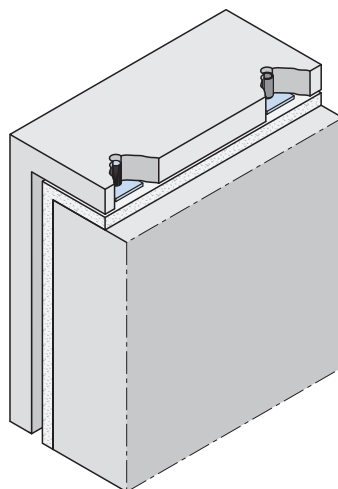
- architectural variety
- economical
- quick installation
- high insulation thicknesses



These façades components are secured to the load-bearing structure of the building as separate, thin façade elements.

### 2. Angled panels

- aesthetic building finishings
- no thermal bridges
- safe installation and storage

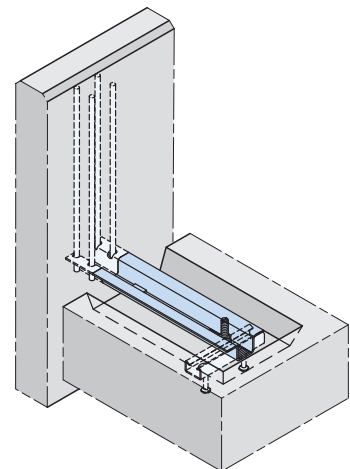


Following distinction in construction type is made:

1. suspended façade panels
2. angled panels
3. parapet elements

### 3. Parapet panels

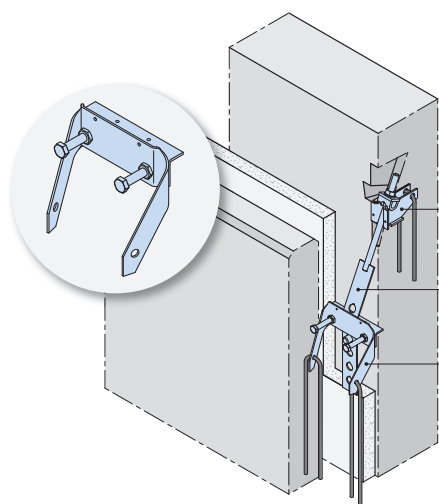
- higher level of prefabrication
- variety in architecture
- safe and quick installation



# HALFEN CONCRETE FAÇADE ANCHOR SYSTEMS

## HALFEN FPA-3 Façade Panel Anchors

### FPA-3 Façade panel anchors



#### Component parts e.g. FPA-3

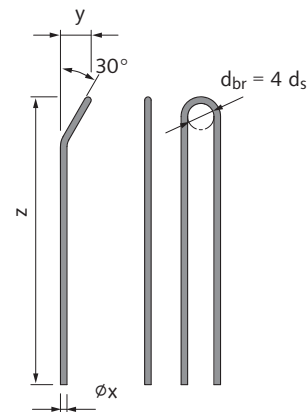
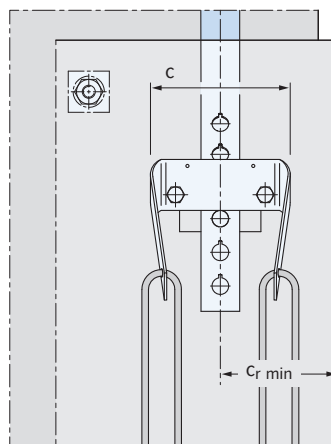
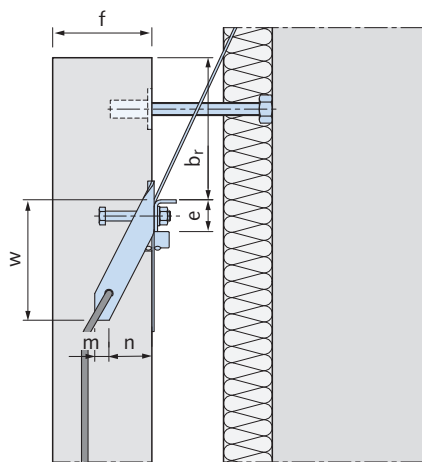
**FPA - 3 - R** (cast-in structural connection):  
Support arm and recess former

**FPA - 3 - M** (assembly component):  
Perforated strap with locating pin,  
nut, washer and locking bolts

**FPA - 3/5 - E** (cast-in panel connection):  
Cast-in part with shaped bracket and recess  
former

### FPA-3/5-E Cast-in part for pre-fabricated elements

The cast-in parts for the façade panel anchors are the same for all types and are selected from the following table. The colour codes and the assembly and installation instructions can be found on pages 16-17.



The stirrup for load group  $\geq 34$  is bent 30° degrees as shown

#### Cast-in panel connection FPA-3/-5-E for pre-fabricated element [mm]

Load group	Load capacity $F_{V,Rd}$ [kN]	Cast-in part FPA-3/5-E suitable for FPA-3, FPA-5, FPA-5Z, FPA-5A, FPA-5AZ								Reinforcement stirrup, B500A, B500B, (supplied by others)		
		f min	$b_r$ min	$c_r$ min	c	e	m	n	w	$\phi_x$	y	z
5.0	6.75	70 <sup>①</sup>	50	107	122	22	11	40	107	6	-	250
8.0	10.80	70 <sup>①</sup>	60	112	137	28	13	40	116	6	-	250
11.5	15.53	80 <sup>①</sup>	70	122	142	36	15	46	133	8	-	250
16.0	21.60	80 <sup>①</sup>	80	132	170	39	18	52	148	8	-	350
22.0	29.70	90	100	132	170	42	21	52	151	8	-	400
34.0	45.90	100	110	160	210	52	25	52	164	10	25	500
46.0	62.10	115	140	180	213	62	30	50	166	12	42	500
56.0	75.60	125	150	180	218	69	35	50	173	12	52	600

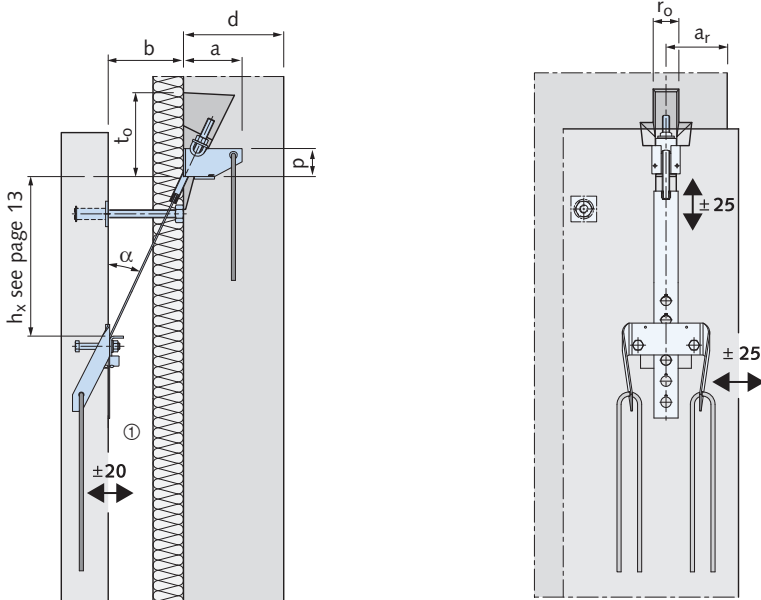
① Only possible when complying to minimal concrete cover (no tolerance allowance)



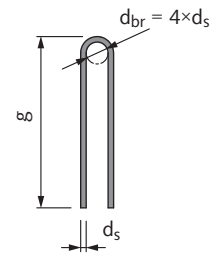
# HALFEN CONCRETE FAÇADE ANCHOR SYSTEMS

## HALFEN FPA-3 Façade Panel Anchors

### FPA-3 Façade panel anchors



Dimensions in [mm]



B500A, B500B Steel reinforcement stirrups are not included in the scope of delivery.

① Horizontal adjustment using spacer bolt, see page 28 f.

Please order spacer bolt and sleeve separately, see page 28

### Components of FPA-3

**FPA - 3 - R** (cast-in structural connection):  
Support arm and recess former

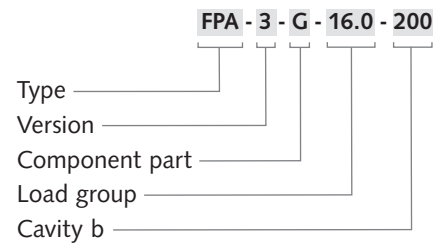
**FPA - 3 - M** (assembly component):  
Perforated strap with locating pin, nut, washer and locking bolts

**FPA - 3 - E** (cast-in panel connection):  
Cast-in part with shaped bracket and recess former

**FPA - 3 - G** (complete set) components:

**FPA - 3 - R**  
+ **FPA - 3 - M**  
+ **FPA - 3 - E**

### Order example



Dimension table FPA-3-R

Load group	Load capacity $F_{V,Rd}$ [kN]	Perforated strap angle $\alpha$ ①	Installation depth $a$ [mm]	$d_{min}$ [mm]	Lateral edge distance $a_{r,min}$ ② [mm]	$t_o$ [mm]	$r_o$ [mm]	$p$ [mm]	Stirrup	
									$d_s$ [mm]	$g$ [mm]
5.0	6.75	25.0°	81	100	70	121	38	38	6	200
8.0	10.80	25.0°	85	115	80	130	40	38	6	200
11.5	15.53	25.0°	96	125	90	150	45	50	8	200
16.0	21.60	25.0°	115	140	120	165	50	55	8	250
22.0	29.70	22.5°	134	160	130	179	60	59	10	250
34.0	45.90	22.5°	155	180	150	202	70	72	12	300
46.0	62.10	20.0°	190	240	170	236	80	86	16	350
56.0	75.60	20.0°	213	300	200	255	94	95	16	400

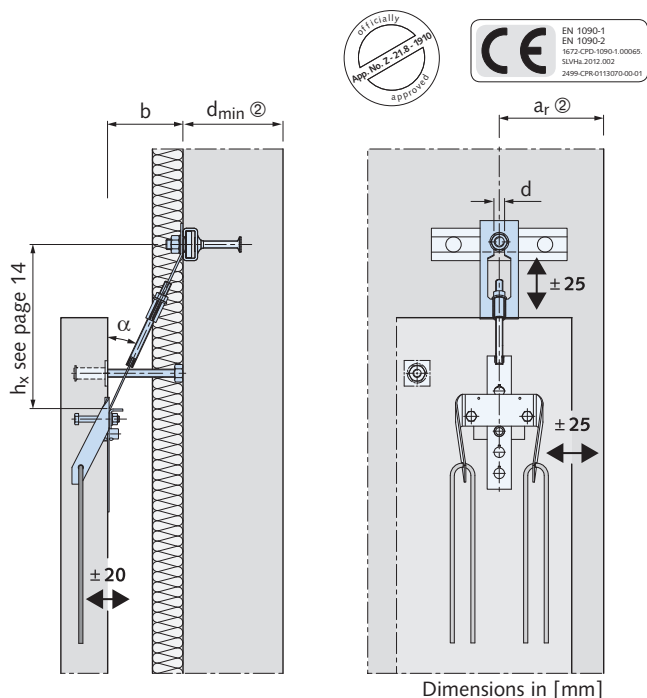
① For more information about perforated straps, see page 13-15

② For smaller values for  $a_r$ , please contact our Technical Support Team

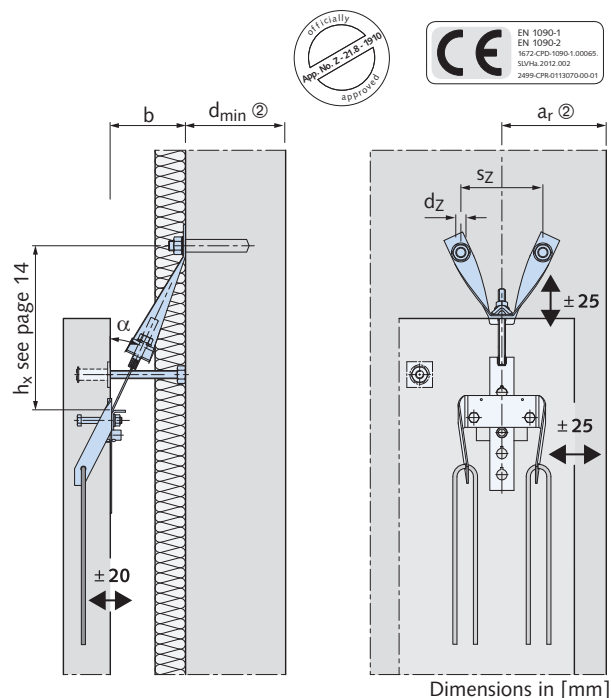
# HALFEN CONCRETE FAÇADE ANCHOR SYSTEMS

## HALFEN FPA-5 and FPA-5Z Façade Panel Anchors

### FPA-5 Façade panel anchors



### FPA-5Z Façade panel anchors



### FPA-5 Components

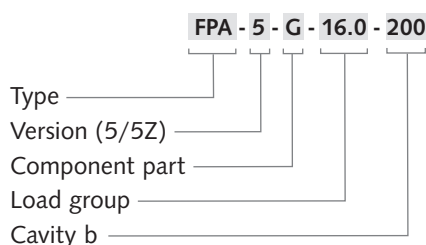
**FPA - 5 - M** (assembly component):  
Perforated strap with nut, washer, locking bolts and suspension

**FPA - 3/5 - E** (cast-in panel connection):  
Cast-in element with shaped bracket and recess former

**FPA - 5 - G** (complete set) components:

- FPA - 5 - M**
- + **FPA - 5 - E**

### Order example



Spacer bolt and sleeve are ordered separately, see page 28

### Information on using façade anchors fixings

We recommend using HTA Cast-in channels or tension suitable anchor bolts. Fitness for purpose must be clarified in advance if non-tension zones anchors-bolts are used. All fittings must be calculated for the actual loads.

Dimension table FPA-5 and FPA-5Z

Load group	Load capacity $F_{V,Rd}$ [kN]	Perforated strap angle $\alpha$ for cavity b <sup>③</sup>								Hole diameter, assembly component		$s_z$ <sup>④</sup> [mm]
		[mm]								d	$d_z$	
		60	70	80	90	100	110	120	>120	[mm]	[mm]	
5.0	6.75	18.5°	21.5°	25.0°	25.0°	25.0°	25.0°	25.0°	25.0°	13	8.5	120
8.0	10.80	18.5°	21.5°	25.0°	25.0°	25.0°	25.0°	25.0°	25.0°	17	10.5	135
11.5	15.53	16.5° ①	19.0°	22.0°	25.0°	25.0°	25.0°	25.0°	25.0°	21	12.5	160
16.0	21.60	14.5° ①	17.0°	19.5°	22.5°	25.0°	25.0°	25.0°	25.0°	21	12.5	160
22.0	29.70	13.5° ①	15.5°	18.0°	20.0°	22.5°	22.5°	22.5°	22.5°	21	16.5	170
34.0	45.90	-	14.0° ①	16.0° ①	18.5°	20.5°	22.5°	22.5°	22.5°	25	22.5	190
46.0	62.10	-	-	-	-	16.0° ①	18.0° ①	20.0°	20.0°	28	25.0	250
56.0	75.60	-	-	-	-	-	15.0° ①	17.0° ①	20.0°	31	25.0	315

① Reduced tolerance range

②  $d_{min}$  and  $a_r$  depend on the fixing system

③ For more information on perforated straps, see page 14

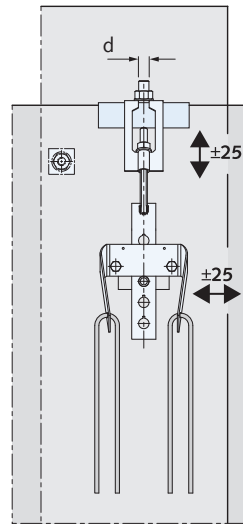
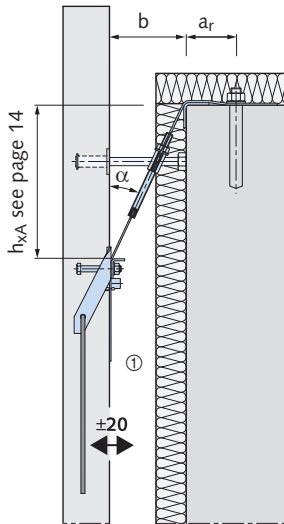
④ Values may deviate up to 15 mm!



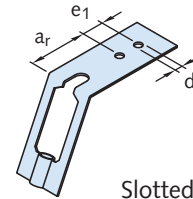
# HALFEN CONCRETE FAÇADE ANCHOR SYSTEMS

## HALFEN FPA-5A Façade Panel Anchors

### FPA-5A Façade panel anchors



Dimensions in [mm]



Slotted strap FPA-5A

① Horizontal adjustment using the spacer bolt, see page 28 f.

Spacer bolt and sleeve are ordered separately, see page 28

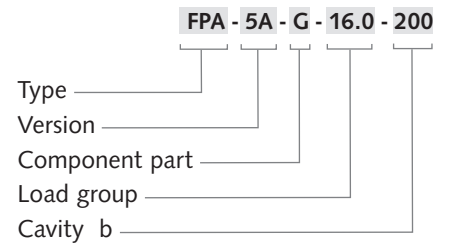
### Components FPA-5A

**FPA - 5A - M** (assembly component):  
Perforated strap with nut and washer, locking bolts, slotted strap and corner protection

**FPA - 5A - G** (complete set):  
**FPA - 5A - M**  
+ **FPA - 5 - E**

**FPA - 3/5 - E** (cast-in panel connection):  
Cast-in part with shaped bracket and recess former

### Order example



Dimension table FPA-5A

Load group	Load capacity $F_{V,Rd}$ [kN]	Perforated strap angle $\alpha$ for cavity b <sup>②</sup>							Hole diameter, assembly component $d$ [mm]	Only for FPA-5A	
		[mm]								Hole spacing $e_1$ [mm]	Edge distance $a_r$ [mm]
		60	70	80	90	100	110	$\geq 120$			
5.0	6.75	18.5°	21.5°	25.0°	25.0°	25.0°	25.0°	25.0°	$\varnothing 11$	24	110
8.0	10.80	18.5°	21.5°	25.0°	25.0°	25.0°	25.0°	25.0°	$\varnothing 13$	28	135
11.5	15.53	16.5° ①	19.0°	22.0°	25.0°	25.0°	25.0°	25.0°	$\varnothing 17$	37	155
16.0	21.60	14.5° ①	17.0°	19.5°	22.5°	25.0°	25.0°	25.0°	$\varnothing 21$	46	210
22.0	29.70	13.5° ①	15.5°	18.0°	20.0°	22.5°	22.5°	22.5°	$\varnothing 21$	46	210
34.0	45.90	-	14.0° ①	16.0°	18.5°	20.5°	22.5°	22.5°	$\varnothing 25$	55	260
46.0	62.10	available on request									
56.0	75.60										

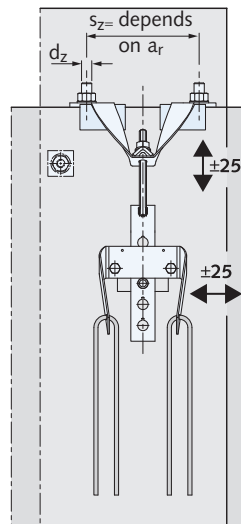
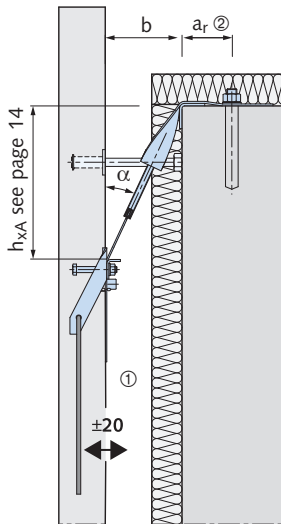
① Reduced tolerance range

② For more information on perforated straps, see page 14

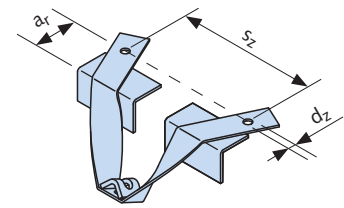
# HALFEN CONCRETE FAÇADE ANCHOR SYSTEMS

## HALFEN FPA-5AZ Façade Panel Anchors

### FPA-5AZ Façade panel anchors



Dimensions in [mm]



Two-point suspension FPA-5AZ

① Horizontal adjustment using spacer bolt, see page 28 f.

Spacer bolt and sleeve are ordered separately, see page 28

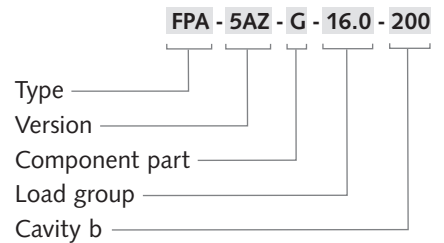
### Components of FPA-5AZ

**FPA - 5AZ - M** (assembly component):  
Perforated strap with nut, washer, locking bolts, two-point suspension and corner protection

**FPA - 5AZ - G** (complete set):  
**FPA - 5AZ - M**  
+ **FPA - 5 - E**

**FPA - 3/5 - E** (cast-in panel connection):  
Cast-in part with shaped bracket and recess former

### Order example



### Dimension table FPA-5AZ

Load group	Load capacity $F_{V,Rd}$ [kN]	Perforated strap angle $\alpha$ for cavity b ② [mm]								Hole diameter installation part $d_z$ [mm]	Spreading $s_z$ [mm] at edge distance $a_r$ [mm] ③ ④								$a_{r,max}$ ⑤ [mm]		
		60	70	80	90	100	110	120	$\geq 120$		60	80	100	120	140	160	180	200		230	280
5.0	6.75	18.5°	21.5°	25.0°	25.0°	25.0°	25.0°	25.0°	25.0°	$\phi$ 8.5	175	190	210							100	
8.0	10.80	18.5°	21.5°	25.0°	25.0°	25.0°	25.0°	25.0°	25.0°	$\phi$ 10.5	190	205	225							110	
11.5	15.53	16.5° ①	19.0°	22.0°	25.0°	25.0°	25.0°	25.0°	25.0°	$\phi$ 12.5	200	220	240	255						135	
16.0	21.60	14.5° ①	17.0°	19.5°	22.5°	25.0°	25.0°	25.0°	25.0°	$\phi$ 12.5	210	230	250	270	290					140	
22.0	29.70	13.5° ①	15.5°	18.0°	20.0°	22.5°	22.5°	22.5°	22.5°	$\phi$ 16.5		235	255	270	290	310				170	
34.0	45.90	-	14.0° ①	16.0°	18.5°	20.5°	22.5°	22.5°	22.5°	$\phi$ 22.5			270	290	305	325	340	360		200	
46.0	62.10					16.0° ①	18.0° ①	20.0°	20.0°	$\phi$ 25.0				320	335	335	370	385	410	230	
56.0	75.60						15.0° ①	17.0° ①	20.0°	$\phi$ 25.0					370	390	405	420	445	485	280

① Reduced tolerance range  
 ② For more information on perforated straps, see page 14  
 ③ Please provide value for  $a_r$ , when ordering. Dowel load bearing capacity must be verified for the selected position  
 ④ Values may deviate up to 20 mm!  
 ⑤ Larger  $a_r$  values are available on request

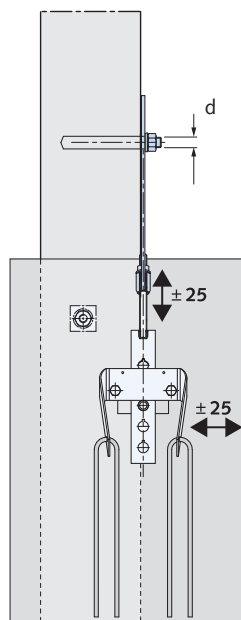
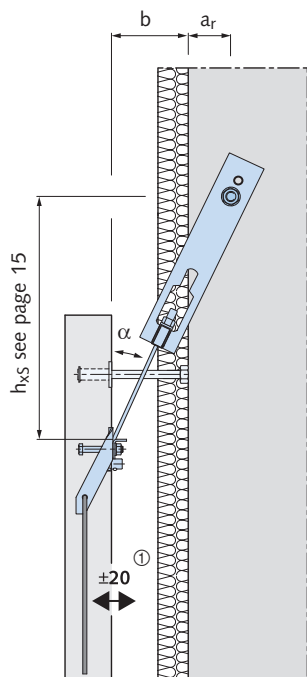


# HALFEN CONCRETE FAÇADE ANCHOR SYSTEMS

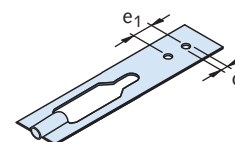
## HALFEN FPA-5S Façade Panel Anchors

### FPA-5S Façade panel anchor

**NEW!**



Dimensions in [mm]



Slotted strap FPA-5S

- ① Horizontal adjustment using spacer bolt, see page 28 f.

Spacer bolt and sleeve are ordered separately, see page 28

### Components of FPA-5S

**FPA - 5S - M** (assembly component):  
Perforated strap with nut and washer, locking bolts and slotted strap

**FPA - 5S - G** (Complete set):  
**FPA - 5S - M**  
+ **FPA - 5 - E**

**FPA - 3/5 - E** (cast-in panel connection):  
Cast-in part with shaped bracket and recess former

### Order example

**FPA - 5S - G - 16.0 - 200**

Type \_\_\_\_\_  
Version \_\_\_\_\_  
Component part \_\_\_\_\_  
Load group \_\_\_\_\_  
Cavity b \_\_\_\_\_

Dimension table FPA-5S

Load group	Load capacity $F_{V,Rd}$ [kN]	Perforated strap angle $\alpha$ for cavity b ① [mm]								Hole diameter installation part $d$ [mm]	Spacing of hole $e_1$ [mm]	Edge distance $a_r$ [mm]
		60	70	80	90	100	110	120	$\geq 130$			
		[mm]										
5.0	6.75	-	-	25.0°	25.0°	25.0°	25.0°	25.0°	25.0°	$\emptyset$ 11	24	100
8.0	10.80	-	-	25.0°	25.0°	25.0°	25.0°	25.0°	25.0°	$\emptyset$ 13	28	130
11.5	15.53	-	-	-	-	25.0°	25.0°	25.0°	25.0°	$\emptyset$ 17	37	150
16.0	21.60	-	-	-	-	-	25.0°	25.0°	25.0°	$\emptyset$ 21	46	175
22.0	29.70	-	-	-	-	-	22.5°	22.5°	22.5°	$\emptyset$ 21	46	210
34.0	45.90	-	-	-	-	-	-	-	22.5°	$\emptyset$ 25	55	260

① For more information on perforated straps, see page 15

# HALFEN CONCRETE FAÇADE ANCHOR SYSTEMS

## Basic Static Calculations

### Calculation of the anchor forces and selection of required fittings to support a façade slab

When fixing a suspended façade slab, two façade anchors are needed as support for the vertical forces (dead weight) and four horizontal anchors (generally two DS Spacer bolts at the upper and two at the lower edge) are needed to ensure the wall space. With stacked suspended façade slabs the lower spacer bolts are replaced with HFV Dowels.

Depending on slab geometry and expected wind loads, additional anchorage for wind suction may be required for the horizontal anchor (e.g. compression-bolt or restraint anchor).



No more than two façade anchors allowed per precast slab

#### Actions:

G = Vertical weight from proportional dead weight of the slab

With symmetrical suspension, G per anchor is = 1/2 dead weight of the slab

wd = Wind pressure load per horizontal anchor

ws = Wind suction load per horizontal anchor

Global safety factor of 1.2 against lift-off (according to expert reports)

#### Partial safety factor, acting loads:

$\gamma_G$  = 1.35 constant influence (dead load)

$\gamma_Q$  = 1.50 variable influence (wind load)

#### Anchor loads:

$V_d$  = Vertical load in the anchor =  $G \times \gamma_G$

$H_d$  = Horizontal load in the anchor =  $V_d \times \tan \alpha$

$R_d$  = Resulting diagonal load in the anchor =  $\sqrt{(V_d^2 + H_d^2)}$

#### Spacer bolt loads (horizontal):

$Do_d$  = at top (from  $Do_{g,d} + Do_{w,d}$ )

$Du_d$  = at base (from  $Du_{g,d} + Du_{w,d}$ )

$Do_{g,d}$  = at top from dead weight  $\times \gamma_G$

max  $Do_{w,d}$  = at top from wind ( $wd \times \gamma_Q$ )

min  $Do_{w,d}$  = at top from wind ( $ws \times \gamma_Q$ )

$Du_{g,d}$  = at base from dead weight  $\times \gamma_G$

max  $Du_{w,d}$  = at base from wind ( $wd \times \gamma_Q$ )

min  $Du_{w,d}$  = at base from wind ( $ws \times \gamma_Q$ )

#### Condition:

If min  $Do_d < 0$   
If min  $Du_d < 0$  } Suction restraint necessary (e.g. LD / LD-A Adjustable restraint)

#### Calculation:

$\Sigma M_A \rightarrow Du_{g,d} = (H_d \times h_2 + V_d \times e) / h_1$

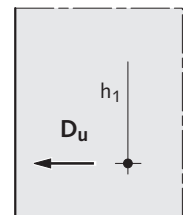
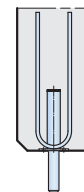
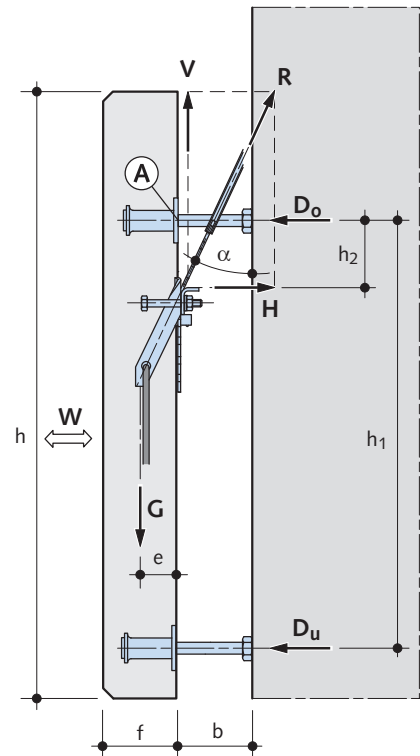
max  $Du_d = Du_{g,d} + \max Du_{w,d}$

min  $Du_d = Du_{g,d} - \min Du_{w,d}$

$\Sigma H \rightarrow Do_{g,d} = H_d - Du_{g,d}$

max  $Do_d = Do_{g,d} + \max Do_{w,d}$

min  $Do_d = Do_{g,d} - \min Do_{w,d}$



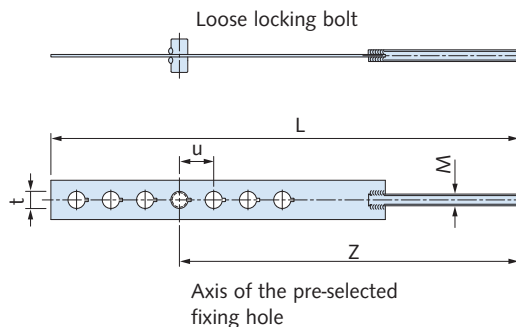
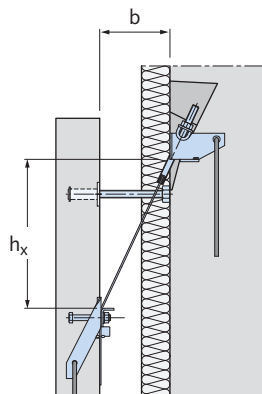
$\alpha$  = Angle of inclination  
(see tables on page 7 to 11)

# HALFEN CONCRETE FAÇADE ANCHOR SYSTEMS

## Perforated Straps for HALFEN FPA-3 Façade Panel Anchors

### Perforated straps for FPA-3 Façade panel anchors

FPA-3



Dimension table perforated straps for FPA-3

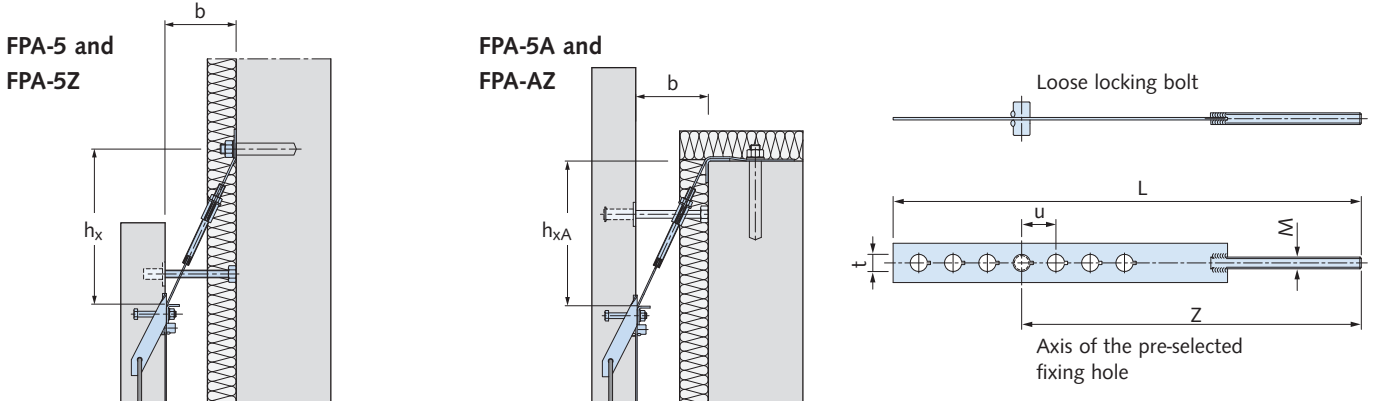
Load group	5.0		8.0		11.5		16.0		22.0		34.0		46.0		56.0									
Thread	M8		M10		M12		M14		M16		M20		M27		M30									
Wrench size	13		17		19		22		24		30		41		46									
t [mm]	11		13		17		21		21		25		28		31									
u [mm]	21		25		33		41		41		50		56		62									
Cavity b [mm]	h <sub>x</sub>	L ①		h <sub>x</sub>	L ①		h <sub>x</sub>	L ①		h <sub>x</sub>	L ①		h <sub>x</sub>	L ①		h <sub>x</sub>	L ①		h <sub>x</sub>	L ①		h <sub>x</sub>	L ①	
		L	Z		L	Z		L	Z		L	Z		L	Z		L	Z		L	Z		L	Z
60	130		251	140		284	130		316	135		320	170		378	170		393	220		458	230		500
70	150		293	160		309	150		316	160		361	195		378	195		443	245		514	260		562
80	175	435 (12/M)	314	180	453 (10/M)	334	175	506 (8/M)	349	180	515 (6/M)	361	220	614 (8/M)	419	220	630 (6/M)	443	275	724 (6/M)	514	285	794 (6/M)	562
90	195		335	205		359	195		382	200		402	245		460	245		493	300		570	315		626
100	215		356	225		384	215		382	220		402	265		460	270		493	330		626	340		624
110	235		377	245		409	240		415	245		443	290		501	295		543	355		626	370		686
120	260		398	265		434	260		448	265		484	315		542	315		543	385		682	395		686
130	280	645 (12/L)	419	290	653 (10/L)	459	280	704 (8/L)	481	285	679 (6/L)	484	340	860 (8/L)	542	340	830 (6/L)	593	410	948 (6/L)	682	425	1042 (6/L)	748
140	300		440	310		459	300		481	310		525	365		583	365		593	440		738	450		738
150	325		482	330		484	325		514	330		525	390		624	390		643	465		738	480		748
160	345		503	355		509	345		547	350		566	410		624	415		643	495		794	505		810
170	365		524	375		534	365		547	370		566	435		665	435		693	520		794	535		872
180	385		545	395		559	390		580	395		607	460		665	460		693	550		850	560		872
190	410		566	415		584	410		613	415		648	485		706	485		743	575		850	590		872
200	430		587	440		609	430		646	435		648	510		747	510		793	605		906	615		934
210	450		608	460		634	450		646	460		689	535		747	535		793	630		906	645		934
220	475	855 (12/XL)	650	505	853 (10/XL)	659	475	902 (8/XL)	679	480	843 (6/XL)	689	550	1106 (8/XL)	788	560	1030 (6/XL)	843	660	1172 (6/XL)	962	670	1290 (6/XL)	996
230	490		671	505		684	495		712	500		730	580		829	580		843	685		962	700		996
240	515		692	525		709	515		712	520		730	605		829	605		893	715		1018	725		1058
250	535		713	545		734	540		745	545		771	630		870	630		893	740		1018	755		1058
260	560		734	565		759	560		778	565		812	655		911	655		943	770		1074	780		1120
270	580		755	590		784	580		811				675		911	680		943	795		1074	810		1120
280	600		776	610		809	600		811				700		952	705		993	825		1130	835		1182
290	625		797	630		834	625		844				725		952							865		1182
300	645		818			845			877				750		993							890		1244
310													775											
320													800											
330													820											

Perforated straps for larger cavities on request ① values in brackets → number of holes / type of perforated strap (M/L/XL)

# HALFEN CONCRETE FAÇADE ANCHOR SYSTEMS

## Perforated Straps for HALFEN FPA-5, FPA-5Z, FPA-5A and FPA-5AZ Façade Panel Anchors

### Perforated straps for FPA-5, FPA-5Z, FPA-5A and FPA-5AZ Façade panel anchors



Dimension table: perforated straps for FPA-5, FPA-5Z, FPA-5A and FPA-5AZ

Load group	5.0		8.0		11.5		16.0		22.0		34.0		46.0		56.0			
Thread	M8		M10		M12		M14		M16		M20		M27		M30			
SW, t, u	Dimensions t, u and wrench size see "dimension table perforated straps for FPA-3" (page 13)																	
Cavity b [mm]	h <sub>x</sub> ②	h <sub>xA</sub> ③	L ①	Z	h <sub>x</sub> ②	h <sub>xA</sub> ③	L ①	Z	h <sub>x</sub> ②	h <sub>xA</sub> ③	L ①	Z	h <sub>x</sub> ②	h <sub>xA</sub> ③	L ①	Z		
60	195	180		188	200	180		184	225	205		217	255	235		238	275	250
70	195	180	246	188	195	180		184	225	205		217	255	230		238	280	255
80	190	175	(4/S)	188	190	175		184	220	200		217	250	230		238	270	250
90	210	195		209	210	195		209	215	195		217	240	220		238	275	250
100	230	215		230	235	215		234	235	215		250	240	215		238	265	245
110	255	240		251	255	240		259	260	240		250	260	240		279	290	270
120	275	260		272	275	260		284	280	260		283	280	260		279	315	290
130	295	280		293	295	280		309	300	280		316	305	280		320	340	315
140	315	305	435 (12/M)	314	320	305		334	320	305		349	325	305		320	365	340
150	340	325		356	340	325		359	345	325		349	345	325		361	390	365
160	360	345		377	360	345		359	365	345		382	365	345		361	410	390
170	380	365		398	385	365		409	385	365		415	390	365		402	435	415
180	405	390		419	405	390		409	410	390		415	410	390		443	460	435
190	425	410		440	425	410		434	430	410		448	430	410		443	485	460
200	445	430		461	445	430		459	450	430		481	455	430		484	510	485
210	470	455	645 (12/L)	482	470	455		484	470	455		514	475	455		484	535	510
220	490	475		524	490	475		509	495	475		514	495	475		525	555	535
230	510	495		545	510	495		534	515	495		547	515	495		525	580	560
240	530	515		566	535	515		559	535	515		580	540	515		566	605	580
250	555	540		587	555	540		584	560	540		580	560	540		607	630	605
260	575	560		608	575	560		609	580	560		613	580	560		607	655	630
270	595	580		629	595	580		634	600	580		646	605	580		648	680	655
280	620	605		650	620	605		659	620	605		679	625	605		648	700	680
290	640	625		671	640	625		684	645	625		679	645	625		689	725	705
300	660	645	855 (12/XL)	692	660	645		709	665	645		712	665	645		730	750	725
310	680	665		734	685	665		734	685	665		745	690	665		730	775	750
320	705	690		755	705	690		759	710	690		771	710	690		771	800	775
330	725	710		776	725	710		784	730	710		778	730	710		771	825	800
340	745	730		797	745	730		784	750	730		811	755	730		812	845	825
350	770	755		818	770	755		834	770	755		844				870	845	
360								795	775			844				895	870	
370								795				877				920	895	
380																945	920	
390																970	945	
400																990	970	
410																1015	990	
420																		

Perforated straps for larger wall cavities on request ① Values in brackets → number of holes/type of perforated strap (S/M/L/XL) ② h<sub>x</sub> for FPA-5/5Z ③ h<sub>xA</sub> for FPA-5A/5AZ

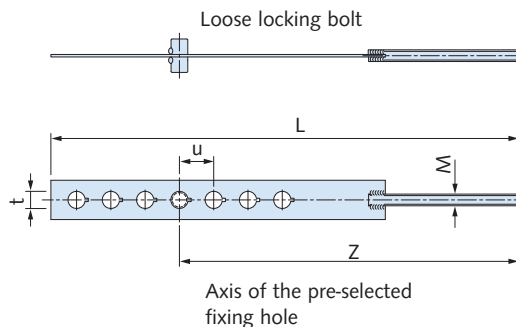
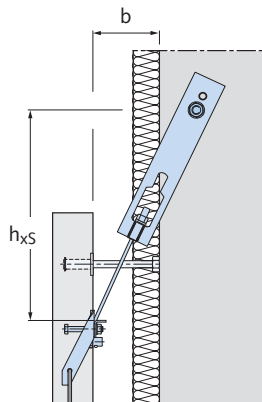


# HALFEN CONCRETE FAÇADE ANCHOR SYSTEMS

## Perforated Straps for HALFEN FPA-5S Façade Panel Anchors

### Perforated straps for FPA-5S Façade panel anchors

FPA-5S



Dimension table; perforated straps for FPA-5S

Load group	5.0			8.0			11.5			16.0			22.0			34.0		
Thread	M8			M10			M12			M14			M16			M20		
Wrench size	13			17			19			22			24			30		
t [mm]	11			13			17			21			21			25		
u [mm]	21			25			33			41			41			50		
Cavity b [mm]	h <sub>xs</sub>	L Ⓢ	Z	h <sub>xs</sub>	L Ⓢ	Z	h <sub>xs</sub>	L Ⓢ	Z	h <sub>xs</sub>	L Ⓢ	Z	h <sub>xs</sub>	L Ⓢ	Z	h <sub>xs</sub>	L Ⓢ	Z
60	-		-	-		-	-		-	-		-	-		-	-		-
70	-	246 (4/S)	-	-	278 (4/S)	-	-		-	-		-	-		-	-		-
80	390		188	455		184	-	341 (4/S)	-	-		-	-		-	-		-
90	410		209	475		209	-		-	-		-	-		-	-		-
100	430		230	495		234	535		250	-	392 (4/S)	-	-	409 (4/S)	-	-	480 (4/S)	-
110	455		251	520		259	560		250	615		279	775		296	-		-
120	475		272	540		284	580		283	635		279	795		296	-		-
130	495		293	560		309	600		316	655		320	820		337	945		343
140	520	12/M	314	585	453 (10/M)	334	625		349	680		320	845		378	970		393
150	540		356	605		359	645		349	700		361	870		378	995		393
160	560		377	625		359	665	506 (8/M)	382	720		361	895		419	1020		443
170	580		398	645		409	685		415	740	515 (6/M)	402	920	614 (8/M)	460	1045		443
180	605		419	670		409	710		415	765		443	940		460	1065	630 (6/M)	493
190	625		440	690		434	730		448	785		443	965		501	1090		493
200	645		461	710		459	750		481	805		484	990		542	1115		543
210	670		482	735		484	775		514	830		484	1015		542	1140		543
220	690	12/L	524	755	653 (10/L)	509	795		514	850		525	1040		583	1165		593
230	710		545	775		534	815		547	870	679 (6/L)	525	1065		583	1190		593
240	730		566	795		559	835		580	890		566	1085		624	1210	830 (6/L)	643
250	755		587	820		584	860		580	915		607	1110		665	1235		643
260	775		608	840		609	880		613	935		607	1135		665	1260		693
270	795		629	860		634	900		646	955		648	1160		706	1285		693
280	820		650	885		659	925		679	980		648	1185		747	1310		743
290	840		671	905		684	945		679	1000		689	1210		747	1335		793
300	860		692	925		709	965		712	1020	843 (6/XL)	730	1230		788	1355		793
310	880	12/XL	734	945	853 (10/XL)	734	985		745	1040		730	1255		829	1380		843
320	905		755	970		759	1010		745	1065		771	1280		829	1405	1030 (6/XL)	843
330	925		776	990		784	1030		778	1085		771	1305		870	1430		893
340	945		797	1010		784	1050		811	1105		812	1330		870	1455		893
350	970		818	1035		834	1075		844				1350		911	1475		943
360									1095				1375	1106 (8/XL)		952		
370									1115				1400		952			
380													1425		993			
390													1450		1034			
400													1475		1034			
410													1495		1075			

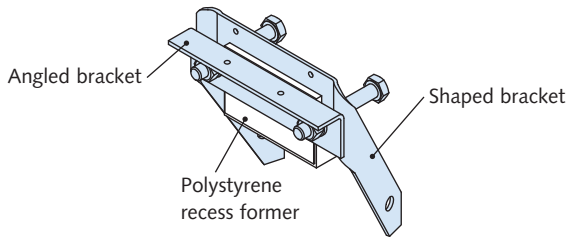
Perforated straps for larger wall cavities on request Ⓢ Values in brackets → number of holes/type of perforated strap (S/M/L/XL)

# HALFEN CONCRETE FAÇADE ANCHOR SYSTEMS

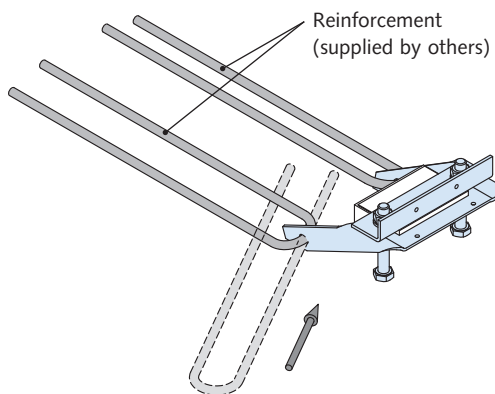
## Installation of the Façade Panel Anchor Connection FPA-3 and FPA-5

### Installing the FPA-3/5-E

1.1 The FPA-3/5-E Cast-in panel connection, consisting of shaped bracket, angled bracket and polystyrene recess former is delivered pre-assembled.

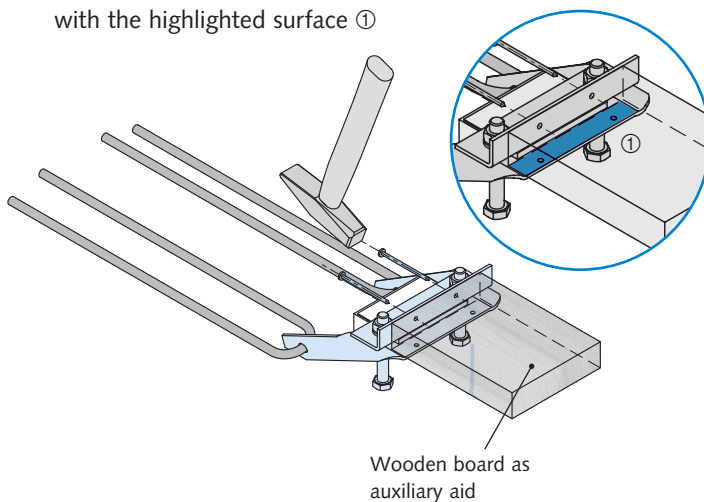


1.2 Insert reinforcement stirrups into the provided holes.



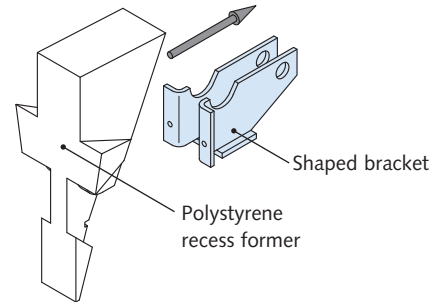
1.3 Secure to the formwork with nails. Nail holes are provided on the shaped bracket and on the angled bracket.

**Note:** The auxiliary construction must be exactly flush with the highlighted surface ①

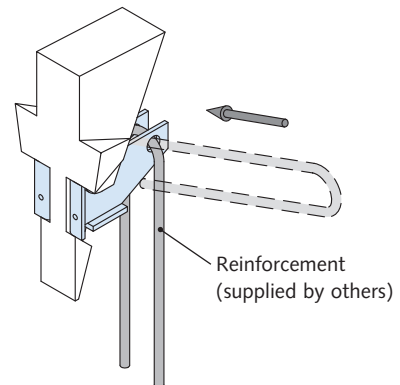


### Installing the FPA-3-R

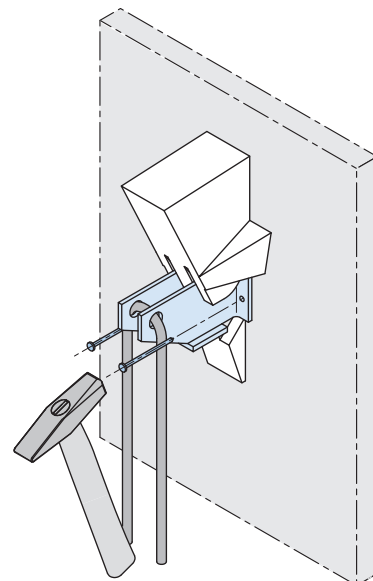
2.1 Place the recess former onto the support arm.



2.2 Insert a reinforcement stirrup through the rear holes in the support arm.



2.3 Attach the cast-in support to the formwork with 2 nails (secure with additional reinforcement if necessary).

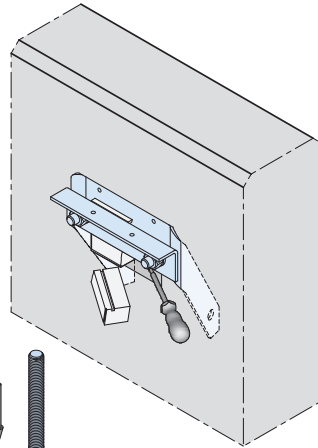


# HALFEN CONCRETE FAÇADE ANCHOR SYSTEMS

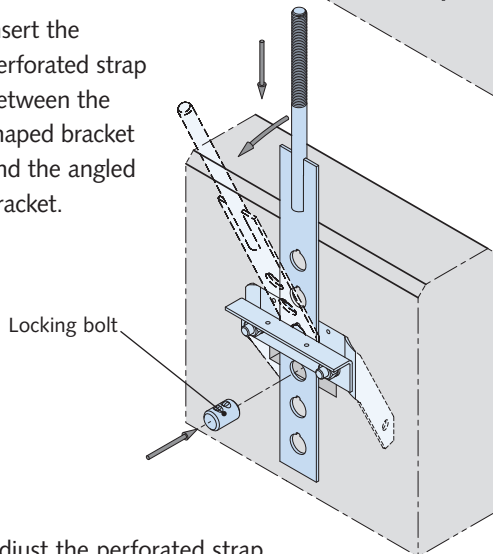
## Installation of the Façade Panel Anchors FPA-3 and FPA-5

### Installing the perforated strap

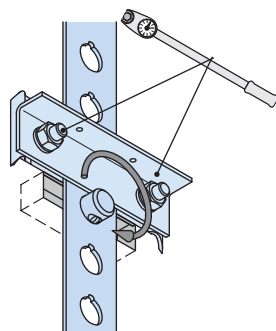
**1.1** Remove the polystyrene recess former. Any polystyrene still in the space between the shaped bracket and angled bracket can be pushed out with the perforated strap.



**1.2** Insert the perforated strap between the shaped bracket and the angled bracket.



**1.3** Adjust the perforated strap roughly to the required length. Secure the perforated strap using the locking bolt (turn the bolt 180°) and bend over the angled bracket.

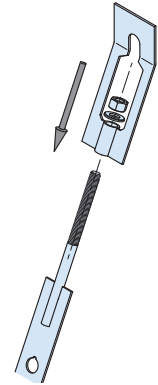


**1.4** Tighten the nuts to the torque listed in the table below.

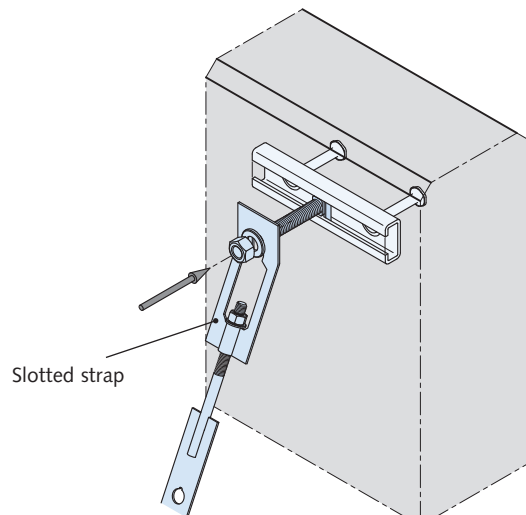
Recommended torque for façade panel cast-in parts			
Load group	Torque [Nm]	Spanner size	Colour code
5.0	5	13	yellow
8.0	5	13	red
11.5	10	17	blue
16.0	15	19	green
22.0	15	19	brown
34.0	30	24	black
46.0	60	30	orange
56.0	60	30	white

### Assembly to the pre-cast panel

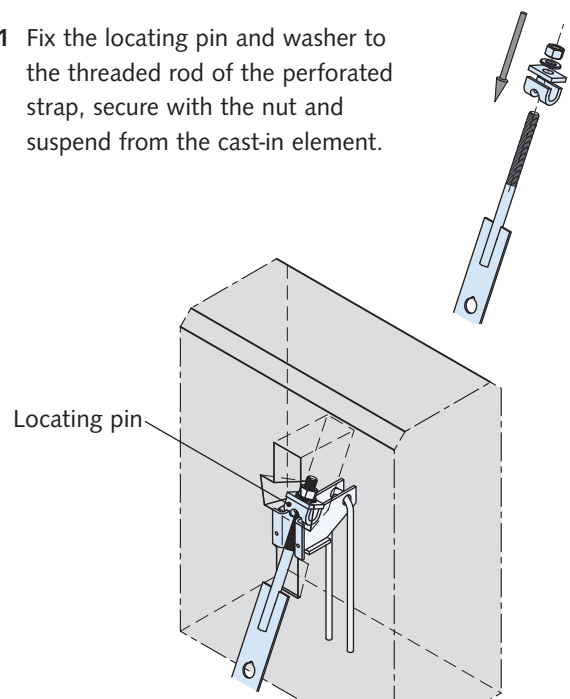
**2.1** Mount the slotted strap onto the threaded rod of the perforated strap using a washer and nut.



**2.2** Fix the upper part to the pre-drilled dowel or channel.



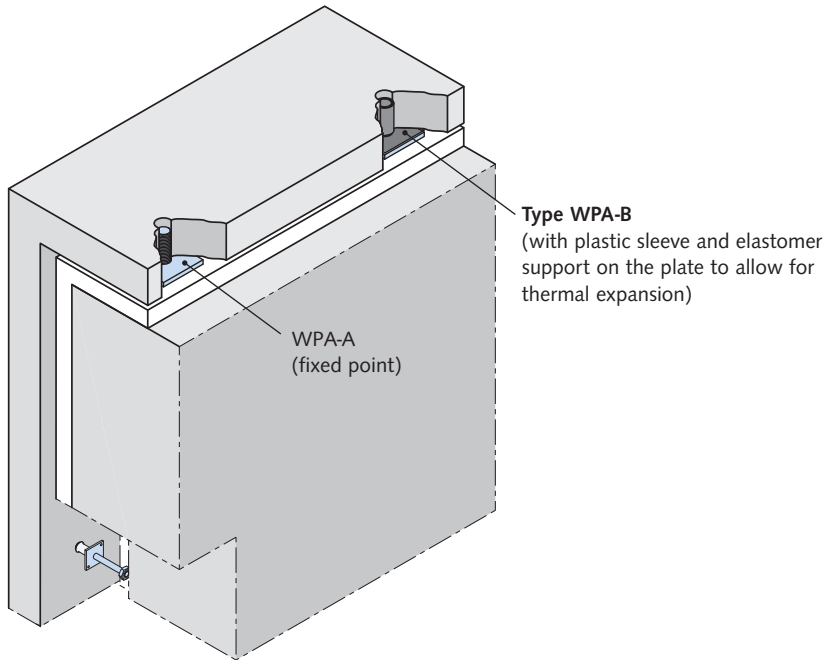
**3.1** Fix the locating pin and washer to the threaded rod of the perforated strap, secure with the nut and suspend from the cast-in element.



# HALFEN CONCRETE FAÇADE ANCHOR SYSTEMS

## HALFEN WPA Top Fixing Dowel

### WPA-A/-B Top fixing dowel



The top fixing dowel allows height adjustment of  $\pm 20$ mm.

#### Load group 5.0 to 16.0 :

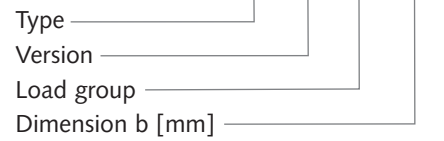
- b = 20 mm: + 20 mm; - 5 mm
- b = 30 mm: + 20 mm; - 15 mm
- b  $\geq$  40 mm:  $\pm 20$  mm

#### Load group 22.0 to 34 :

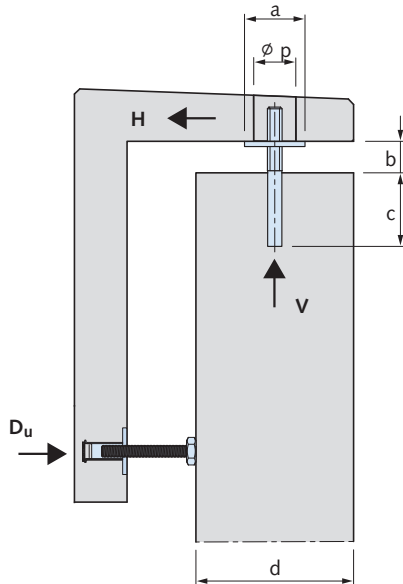
- b = 30 mm: + 20 mm; - 10 mm
- b  $\geq$  40 mm:  $\pm 20$  mm

One dowel must be fitted with a plastic sleeve to allow for thermal expansion.

Ordering example: **WPA - A - 11.5 - 60**



### Approximate anchor dimensioning



#### Individual certification:

Not necessary if  $H_{max}$  and  $V_{max}$  are complied with according to the table on page 19.

#### Dimensioning example:

assumed:  $V_k = 10.0$  kN  
 $H_k = 2.0$  kN  
 $b = 8$  cm

Pre-selecting a load group  
 selected: Load group 11.5

$$N_d = 1.35 \times V_k \text{ [kN]}$$

$$= 1.35 \times 10.0 = 13.5 \text{ kN}$$

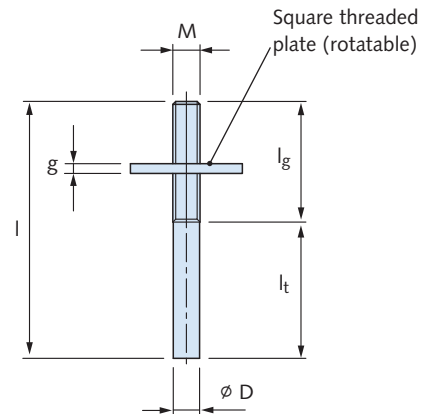
$$M_d = 1.4 \times H_k \times (b + \phi D) \text{ [kNcm]}$$

$$= 1.4 \times 2.0 \times (8.0 + 2.9) = 30.52 \text{ kNcm}$$

$$\rightarrow N_d / (\kappa \times N_{Rd}) + M_d / M_{Rd} + temp \leq 1.0$$

$$13.5 / 94 + 30.52 / 57.2 + 0.26$$

$$= 0.937 < 1.00 \checkmark$$





# HALFEN CONCRETE FAÇADE ANCHOR SYSTEMS

## HALFEN WPA Top Fixing Dowel

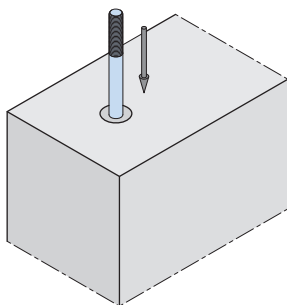
Dimension table WPA Top fixing dowel												
Load group	Distance ① b [cm]	$\kappa \times N_{Rd}$ [kN]	$M_{y,Rd}$ [kNcm]	Temp [-]	$H_{max}$ [kN]	$d_{min}$ [cm]	Thread M	$\varnothing D \times L$ [mm]	$l_g + l_t$ [mm]	$a \times g$ [mm]	$\varnothing p$ [mm]	min c [mm]
5.0	2.0 ②	64	24.9	0.12	2.20	15	M24 × 1.5	22 × 295	135 + 160	110 × 10	60	160
	4.0	58		0.16	1.55	15						
	6.0	53		0.20	1.15	15						
	8.0	49		0.24	0.88	15						
8.0	2.0 ②	99	46.1	0.10	3.90	20	M28 × 1.5	27 × 295	135 + 160	115 × 10	70	160
	4.0	92		0.13	2.90	18						
	6.0	86		0.16	2.20	16						
	8.0	80		0.19	1.75	15						
11.5	2.0 ②	115	57.2	0.14	4.20	20	M30 × 1.5	29 × 330	140 + 190	120 × 12	70	190
	4.0	108		0.18	3.10	18						
	6.0	101		0.22	2.30	16						
	8.0	94		0.26	1.75	15						
16.0	2.0 ②	161	92.1	0.13	6.50	26	M35 × 1.5	34 × 335	145 + 190	125 × 12	70	190
	4.0	153		0.16	4.80	22						
	6.0	144		0.20	3.70	20						
	8.0	136		0.23	2.90	18						
22.0	4.0	194	128.5	0.17	6.30	24	M39 × 1.5	40 × 365	145 + 220	140 × 15	80	220
	6.0	184		0.20	4.85	22						
	8.0	175		0.24	3.85	20						
34.0	4.0	265	199.6	0.18	8.80	30	M45 × 1.5	44 × 395	145 + 250	140 × 15	80	250
	6.0	254		0.21	6.80	25						
	8.0	243		0.25	5.40	23						

① Values include a vertical adjustment range of  $\pm 20$  mm

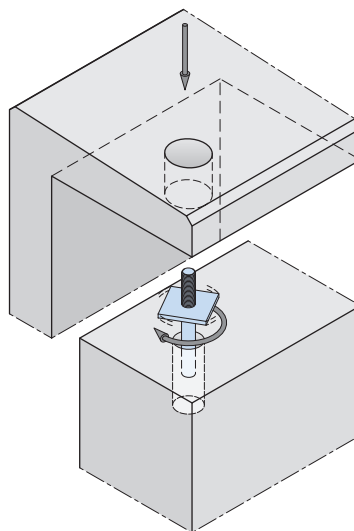
② Vertical adjustment range can only be fully utilized in the upward direction

### Assembly and installation instructions for top fixing dowels

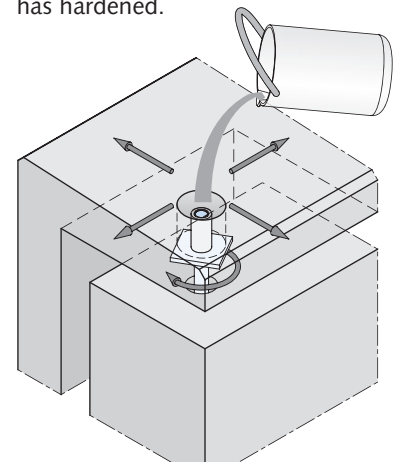
1. A recess (grout hole) is provided in the precast concrete element for the threaded bolt; the bolt may also be cast directly into the concrete, whereby it must be ensured that the dowel remains completely perpendicular.
2. The dowels are fitted vertically into the recesses in the structure (if they are not directly cast in) ( $\geq C30/37$ ).



3. A recess is provided in the precast element to grout in the dowel once the element has been aligned.
4. The threaded plate is screwed on to the exposed thread and pre-adjusted.



5. The precast corner panel is aligned. Horizontally alignment is by shifting in the limits of the (grout) recess; vertically alignment is by turning the threaded plate up or down.
6. After adjusting, the recess in the panel is filled with concrete (concrete strength  $\geq 25$  N/mm<sup>2</sup>). The position of the corner panel must be secured until the concrete has hardened.



# HALFEN CONCRETE FAÇADE ANCHOR SYSTEMS

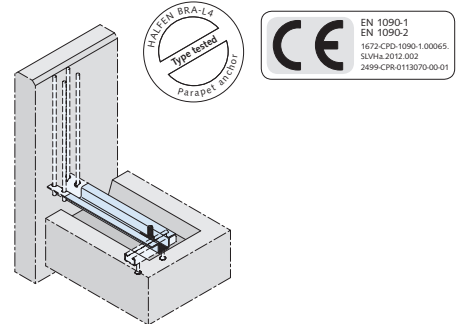
## HALFEN BRA-L4 Parapet Corbel

### BRA-N L4, Parapet corbel standard version (required installation accessories: BRA-M1)

**Type;** Standard bracket type without height adjustment bolt.  
**Sizes:** BRA-1 to BRA-8.

Larger special brackets are possible. Limited height adjustment is possible. Additional shims are required; these are placed under the bracket's front point of load. HALFEN Cast-in channels or approved dowels are used to connect the brackets.

Application example for the BRA-N Bracket type is to support balcony parapets. The bracket may be recessed into the top of the floor slab. To ensure even load distribution only two brackets are allowed to be used per panel. If more than two anchor are used it is absolutely essential to use the adjustable BRA-NJ Bracket type.

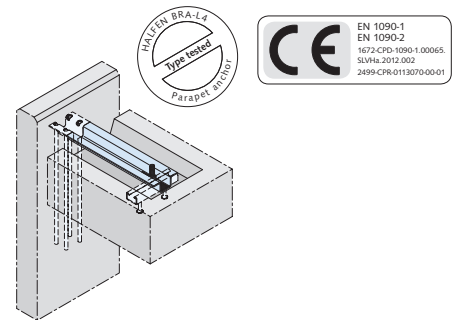


### BRA-A L4, Parapet corbel suspended version (required installation accessories: BRA-M1)

**Type;** Standard bracket suspension type without height adjustment bolt.  
**Sizes:** BRA-1 to BRA-8.

Larger special brackets are possible. Limited height adjustment is possible. Additional shims are required; these are placed under the bracket's front point of load. HALFEN Cast-in channels or approved dowels are used to

connect the brackets. Application example for the BRA-A Bracket type is to support suspended roof-parapets elements. To ensure even load distribution only two brackets are allowed to be used per panel. If more than two anchor are used it is absolutely essential to use the adjustable BRA-NJ Bracket type.

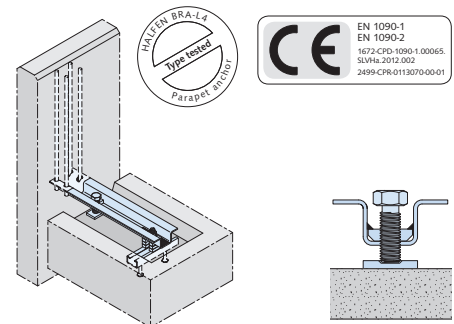


### BRA-NJ L4, Parapet corbel standard version, adjustable (required installation accessories: BRA-M1 and BRA-M2)

**Type;** Standard bracket type with height adjustment bolt.  
**Sizes:** BRA-1 to BRA-8.

Larger special brackets are possible. Adjustment accessory BRA-M2 is required for exact height adjustment. HALFEN Cast-in channels or approved dowels are used to connect the brackets.

If feasible, only two brackets should be used for each panel element. In exceptional load situations three anchors can be installed; however, appropriate measures are required to ensure the load is evenly distributed.

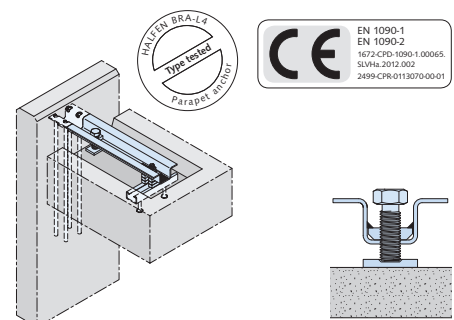


### BRA-AJ L4, Parapet corbel suspended version, adjustable (required installation accessories: BRA-M1 and BRA-M2)

**Type;** Standard bracket suspension type with height adjustment bolt.  
**Sizes:** BRA-1 to BRA-8.

Larger special brackets are possible. Adjustment accessory BRA-M2 is required for exact height adjustment. HALFEN Cast-in channels or approved dowels are used to connect the brackets.

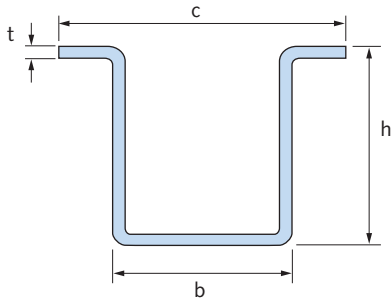
If possible, only two brackets should be used for each panel element. In exceptional load situations three anchors can be installed; however, appropriate measures are required to ensure the load is evenly distributed.



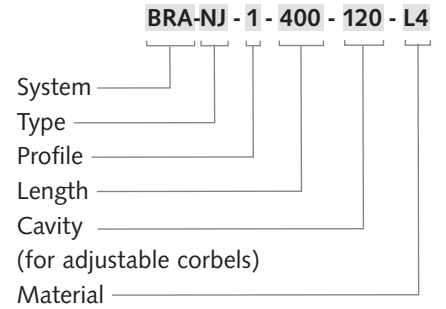
# HALFEN CONCRETE FAÇADE ANCHOR SYSTEMS

## HALFEN BRA-L4 Parapet Corbel: Product Overview

### Article name and dimensions



### Order example:



Dimension table BRA-L4 Parapet corbel

Profile	b [mm]	h [mm]	c [mm]	t [mm]
BRA 1	40	44	74	3
BRA 2	45	48	84	3
BRA 3	51	54	94	4
BRA 4	65	66	122	4
BRA 5	66	70	122	5
BRA 6	77	83	144	5
BRA 7	80	84	148	6
BRA 8	80	85	144	8

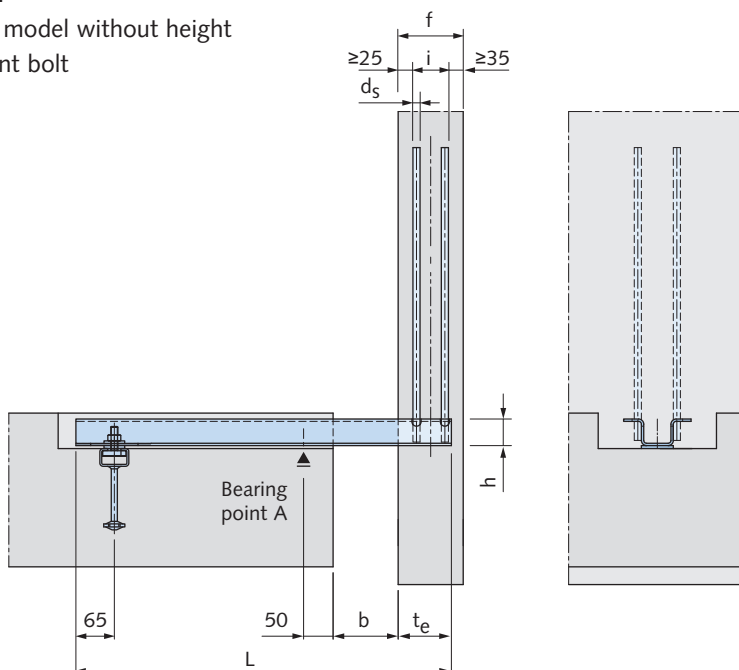
### BRA Types:

- BRA - **A** → Suspended version (downward rebars)
- BRA - **AJ** → Suspended version adjustable (downward rebars)
- BRA - **N** → Standard-version (upward rebars)
- BRA - **NJ** → Standard-version adjustable (upward rebars)

### BRA-L4 profile choice

#### BRA-N L4

Standard model without height adjustment bolt



The required profile for the HALFEN Parapet anchor is selected by calculating the bending moment 'M<sub>y</sub>' and the shear load (dead load) 'D' at bearing point 'A' (dead load, wind, live load etc.); the results are then checked and verified against the allowable values in the table on the next page.

A calculation program to determine BRA profiles and for verifiable static calculations is available for download at [www.halfen.com](http://www.halfen.com).

# HALFEN CONCRETE FAÇADE ANCHOR SYSTEMS

## Dimensioning of HALFEN BRA-L4 Parapet Corbel

Dimensioning (see also → type test report)

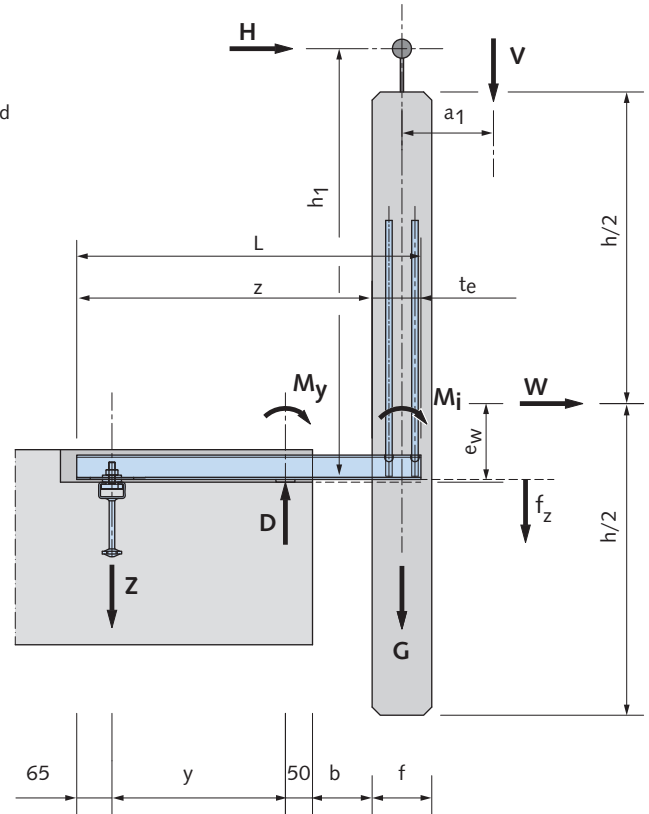
1.  $M_{i,d} = \gamma_G \cdot V \cdot a_1 + \gamma_Q \cdot \psi_0 \cdot W \cdot e_w + \gamma_Q \cdot \psi_0 \cdot H \cdot h_1 \leq M_{i,R,d}$
2.  $M_{y,d} = M_{i,d} + \gamma_G \cdot G \cdot \left(\frac{f}{2} + b + 50\text{mm}\right) + \gamma_G \cdot V \cdot \left(\frac{f}{2} + b + 50\text{mm}\right) \leq [1 - (N_d/N_{pl,d})^{1,2}] M_{pl,d}$
3.  $V_{z,d} = \gamma_G \cdot G + \gamma_G \cdot V \leq V_{z,R,d}$
4.  $Z_d = \frac{M_{y,d}}{y} \leq Z_{R,d}$
5.  $D_d = Z_d + V_{z,d} \leq D_{R,d}$
6.  $D_d \geq 0$  (proof against uplift)
7.  $N_d = \gamma_Q \cdot \psi_0 \cdot W + \gamma_Q \cdot \psi_0 \cdot H \leq N_{R,d}$

Interaction design:

$$\frac{M_{z,d}}{M_{pl,z,d}} + \left(\frac{N_d}{N_{pl,d}}\right)^{2,6} + \left[1 - \left(\frac{N_d}{N_{pl,d}}\right)^{2,6}\right] \cdot \frac{N_{pl,d}}{N_d} \cdot \left(\frac{M_{y,d}}{M_{pl,y,d}}\right)^{2,3} \leq 1$$

Vertical deflection:  $f_z = \frac{M_{y,k} \cdot L_1 \cdot \left(L_2 + \frac{L_1}{2}\right)}{3 \cdot E \cdot I_y}$

with:  $L_1 = \frac{f}{2} + e + 50\text{mm}; L_2 = L - t_e - 65\text{mm} + \frac{f}{2}$



### Actions, safety factors

#### Reactions:

- G = Dead weight
- V = Vertical load (e.g. flower planter)
- H = Horizontal load (hand-rail load)
- W = Wind load

#### Partial safety factor:

- $\gamma_G = 1,35$  (unfavourable load position)
- $\gamma_G = 1,0$  (favourable load position)
- $\gamma_Q = 1,50$  (unfavourable load position)
- $\gamma_Q = 0$  (favourable load position)
- $\psi_0 = 1,0$  (decisive action)
- $\psi_0 = 0,7$  (hand-rail load)
- $\psi_0 = 0,6$  (additional actions)



Please use our dimensioning software to select the correct type of anchor for static verification.

### Load capacity, cross section values

	BRA 1	BRA 2	BRA 3	BRA 4	BRA 5	BRA 6	BRA 7	BRA 8
$M_{i,R,d}$ [kNcm]	190	204	374	616	750	1,032	1,294	1,730
$M_{pl,y,d}$ [kNcm]	270	335	558	857	1,137	1,630	1,986	2,439
$M_{pl,z,d}$ [kNcm]	246	313	531	849	1,082	1,524	1,905	2,455
$V_{z,R,d}$ [kN]	19.4	21.3	32.1	39.0	51.2	61.4	73.7	97.0
$Z_{R,d}$ [kN]	18.9	18.9	23.6	23.6	37.4	37.4	52.5	93.4
$D_{R,d}$ [kN]	38.7	38.7	45.3	45.3	68.0	68.0	79.3	79.3
$N_{R,d}$ [kN]	10.0	17.0	17.0	17.0	26.0	26.0	26.0	26.0
$N_{pl,d}$ [kN]	182	204	303	379	484	579	702	903
$I_y$ [cm <sup>4</sup> ]	11.78	16.12	30.31	56.88	78.81	135.39	165.45	204.04

### Anchoring at tie bearing

	BRA 1	BRA 2	BRA 3	BRA 4	BRA 5	BRA 6	BRA 7	BRA 8
diam. of the anchoring element	M12	M16	M16	M16	M20	M20	M20	M20
Minimum tightening torque [Nm]	25	60	60	60	120	120	120	120
Recommended HALFEN Cast-in channel HTA-CE ①	40/25	49/30	49/30	49/30	54/33	54/33	54/33	54/33

① Separate proof of the anchorage taking the respective boundary conditions into account must be provided



# HALFEN CONCRETE FAÇADE ANCHOR SYSTEMS

## Installation of HALFEN BRA-L4 Parapet Corbel

### Casting into the precast panel

The bracket should be installed in the corbel panel ensuring the rear reinforcement bars have a minimum of 25 mm concrete cover to the inner facing. This subsequently affects the minimal required corbel panel thickness for the various BRA-profiles (see table). The height-placement of the brackets in the precast element depends on the installation plane in the slab pocket.

The bracket is often installed in a recess. The bottom of the recess then becomes the installation plane; otherwise the upper surface of the slab is the installation plane.

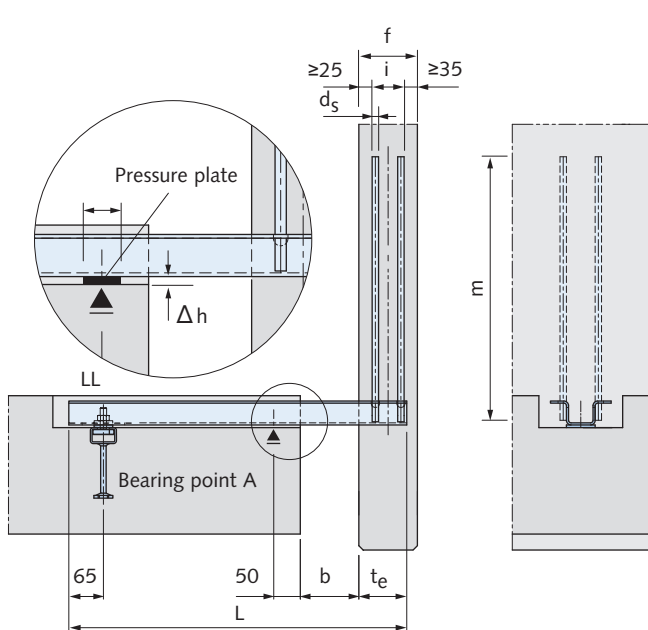
Ensure sufficient concrete cover for the rebar welded to the anchor bracket at the bottom and top edge of the parapet.

The bottom edge of the BRA-profile should be positioned at  $\Delta h$  above the installation plane:

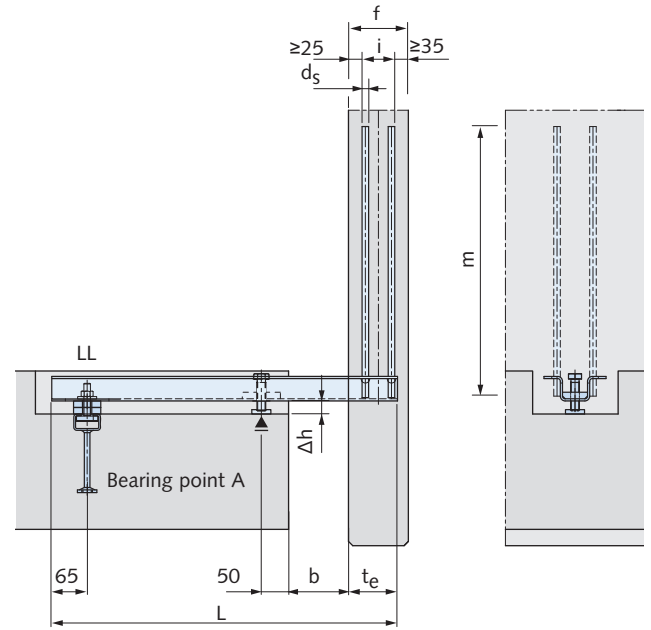
In accordance with EC 2, if the rebars are too long these may be shortened by bending.

$$\Delta h = 5-10 \text{ mm (for BRA-A / BRA-N)}$$

$$\Delta h = 15-25 \text{ mm (for BRA-AJ / BRA-NJ)}$$



**Type-N** Standard model without height adjustment bolt



**Type-NJ** Standard model with height adjustment bolt

### Designs of the BRA-L4 Parapet corbel [mm]

	Standard length recommended profile length L for cavity b <sup>①</sup>			Adjustment slot LL	Embedded depth ② t <sub>e</sub>	Panel thickness ② min f	Bar d <sub>s</sub>	Spacing i	height m	Minimum pressure plate dimensions a
	0-40 mm	50-100 mm	110-140 mm							
BRA 1	400	450	500	17 x 80	70	100	∅ 10	40	350	40
BRA 2	450	500	550	19 x 80	72	100	∅ 10	40	400	40
BRA 3	500	550	600	19 x 80	82	110	∅ 12	50	440	40
BRA 4	550	600	650	21 x 80	92	120	∅ 14	60	510	60
BRA 5	550	600	650	24 x 80	102	130	∅ 14	70	510	60
BRA 6	600	650	700	24 x 80	108	135	∅ 16	75	600	60
BRA 7	650	700	750	24 x 80	123	150	∅ 16	90	600	70
BRA 8	700	750	800	24 x 80	125	150	∅ 20	90	700	70

Material: Stainless steel L4 Lean Duplex (Omega profile), B500A, B500B (anchoring reinforcement). Stainless steel reinforcement on request.

① Other cavities and profile lengths are possible; use increments of 10 mm to specify other preferred lengths e.g. 40 mm

② Values apply for c<sub>nom,i</sub> = 25 mm; c<sub>nom,a</sub> = 35 mm

# HALFEN CONCRETE FAÇADE ANCHOR SYSTEMS

## Parapet Corbel Installation

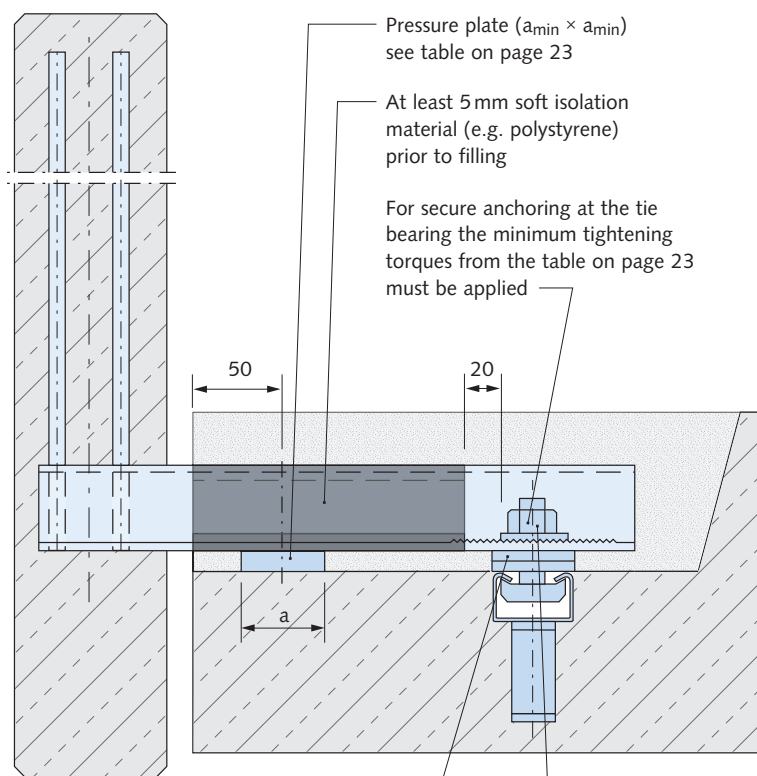
### Connection to the floor slab

Bracket anchors are normally connected to slabs using approved fixing products; generally HALFEN Cast-in channels and assembly accessories (order separately). Galvanized accessories will be sufficiently protected if the

brackets are installed in slab recesses, which are subsequently filled. For fittings that are not grouted or remain visible we recommend using stainless steel A4 installation brackets. Recommendations for anchoring elements

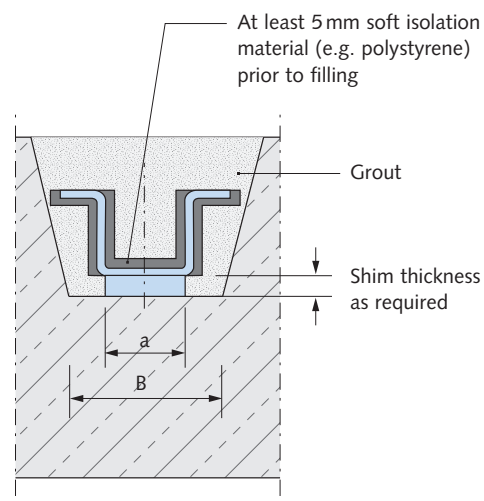
can be found in the table on page 22. We recommend designing the recesses with the dimensions as provided in the table below.

Recess dimensions [mm]				
Type	Colour code	Recess width B	Recess height	
			For type -A and type -N	For type -AJ and type -NJ
BRA 1	yellow	200	70	80
BRA 2	red	200	70	80
BRA 3	blue	200	80	90
BRA 4	green	225	90	100
BRA 5	brown	225	90	100
BRA 6	black	250	110	120
BRA 7	orange	250	110	120
BRA 8	white	250	110	120



### Recess installation of BRA-L4 with grouting

When installing the BRA-L4 in a recess, place an appropriate soft-insulation along the vertical sides of the anchor prior to filling with concrete. This avoids damage caused by temperature-fluctuations.



**Material:** Dowel (Channel bolt, nuts and washer) are galvanized, if the anchor is subsequently grouted; otherwise stainless steel 1.4571 or 1.4401

## HALFEN CONCRETE FAÇADE ANCHOR SYSTEMS

### Accessories for BRA-L4 Parapet Corbels

#### BRA-M1 Installation set

The HALFEN BRA-M1 Installation set is required to install the fixed parapet anchors type -N and type -A, as well as the adjustable anchors type -NJ

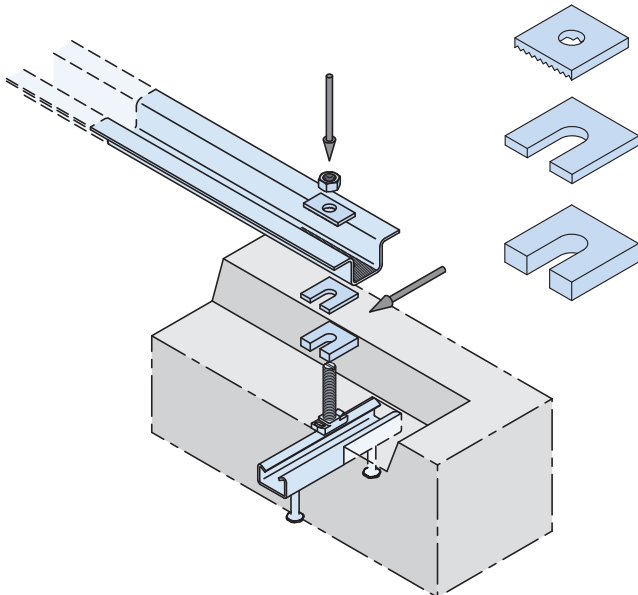
and type -AJ.  
HALFEN BRA-M1 Installation set includes the serrated washer, one 3 mm shim and one 6 mm shim.

Fixing material must be selected and ordered separately i.e. HALFEN Cast-in channels including T-head bolts and dowels.

#### BRA-M1 Installation set

includes:

- one serrated plate
- 2 shims for height adjustment  
thickness  $t = 3\text{ mm}$  and  $t = 6\text{ mm}$



BRA-M1 required for all types of BRA Parapet brackets (order separately)

#### BRA-M1 Installation set

BRA Installation set	For bracket type	Maximum thread diameter	Hot-dip galvanized order no. 0250.150-	Stainless steel A4 order no. 0250.150-
BRA-M1 - 1	BRA - ... - 1	M12	00006	00001
BRA-M1 - 2	BRA - ... - 2	M16	00007	00002
BRA-M1 - 3	BRA - ... - 3	M16	00007	00002
BRA-M1 - 4	BRA - ... - 4	M16	00008	00003
BRA-M1 - 5	BRA - ... - 5	M20	00009	00004
BRA-M1 - 6	BRA - ... - 6	M20	00010	00005
BRA-M1 - 7	BRA - ... - 7	M20	00010	00005
BRA-M1 - 8	BRA - ... - 8	M20	00010	00005

## HALFEN CONCRETE FAÇADE ANCHOR SYSTEMS

### Accessories for BRA-L4 Parapet Corbels

#### BRA-M2 Installation set (for adjustable parapet brackets BRA-AJ and BRA-NJ)

The BRA-M2 Installation set is used to fix the height of the adjustable parapet brackets type -AJ and type -NJ. BRA-M2 consists of a height adjusting bolt and a locking plate. It also includes either one or two extra shims for tension support.

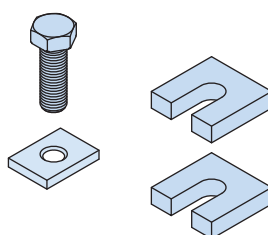
The bolt in the installation set is screwed; head up, into the welded flange-plate located towards the front of the anchor bracket.

The load distributor plate is placed under the bolt; the tip of the bolt in the plate recess. The front anchor support can now be height-adjusted as required by turning the bolt.

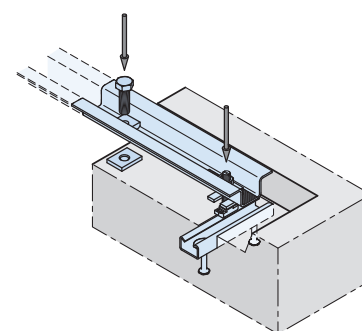
#### BRA-M2 Installation set:

Consisting of:

Hexagonal bolt, locking plate,  
1 or 2 shims for bracket levelling,  
t = 6 mm



BRA-M2 is needed in addition to BRA-M1 (order separately)



The parapet is aligned by placing the required number of shims under the rear support. The fixing bolts are tightened with the correct allowable torque only when the panel is correctly aligned.

#### BRA-M2 Installation set

Installation set	For bracket type	Number of shims	Hot-dip galvanized order no. 0250.-	Stainless steel A4 order no. 0250.-
BRA-M2 - 1	BRA - ... - 1	1	160-00007	160-00001
BRA-M2 - 2	BRA - ... - 2	1	160-00008	160-00002
BRA-M2 - 3	BRA - ... - 3	1	160-00009	160-00003
BRA-M2 - 4	BRA - ... - 4	1	160-00010	160-00004
BRA-M2 - 5	BRA - ... - 5	2	160-00011	160-00005
BRA-M2 - 6	BRA - ... - 6	2	160-00011	160-00005
BRA-M2 - 7	BRA - ... - 7	2	160-00012	160-00006
BRA-M2 - 8	BRA - ... - 8	2	160-00012	160-00006

#### Accessories for additional requirements

Further items for installation may be required for large tolerance-range or when compiling individual part lists. For available individual items please refer to the following table.

#### Accessories

Components		Article name	Hot-dip galvanized order no. 0250.-	Stainless steel A4 order no. 0250.-
3 mm shims	slot 17 mm	BRA SS 50/50/ 3 S=35/17	030-00014	030-00006
	slot 21 mm	BRA SS 50/50/ 3 S=35/21	030-00015	030-00007
	slot 25 mm	BRA SS 65/65/3 S=45/25	030-00023	030-00021
6 mm shims	slot 17 mm	BRA SS 50/50/ 6 S=35/17	030-00018	030-00010
	slot 21 mm	BRA SS 50/50/ 6 S=35/21	030-00019	030-00011
	slot 25 mm	BRA SS 65/65/6 S=45/25	030-00024	030-00022
Serrated washers for type	1	BRA RP 26x55x6 RL=13	050-00016	050-00011
	2 and 3	BRA RP 30x55x6 RL=17	050-00017	050-00012
	4	BRA RP 38x55x6 RL=17	050-00020	050-00015
	5	BRA RP 38x65x6 RL=21	050-00018	050-00013
	6,7 and 8	BRA RP 45x65x8 LL=21x25	050-00019	050-00014



# HALFEN CONCRETE FAÇADE ANCHOR SYSTEMS

## Horizontal Anchoring and Dowel Restraints: Type Overview

### General information

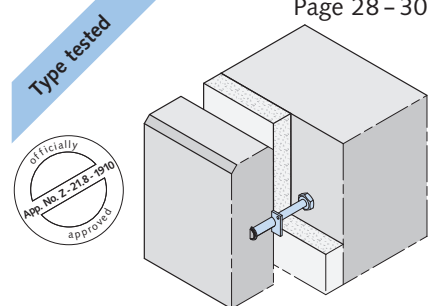
Horizontal anchors are used for horizontal support of façade panels. Basically, a distinction is made between horizontal fixings for pressure and tensile forces of panels that are aligned with each other in parallel or at right angles, as well as for the alignment of panels arranged above or next to each other with dowel restraints.

Product selection is according to load, cross-section, stand-off spacing and accessibility.

HALFEN offers a wide range of anchors with different load groups for this application.

### Spacer bolts

Page 28 – 30



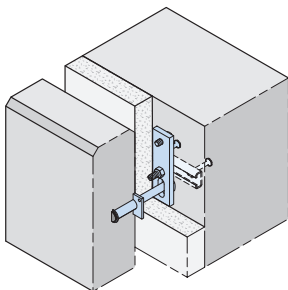
- high compression loads
- type-tested for cavities  $\leq 500$  mm
- Building authority approved anchorage in concrete

### Tension and pressure resistant connection in the space between parallel surfaces

#### Adjustable restraint LD

Page 31 – 32

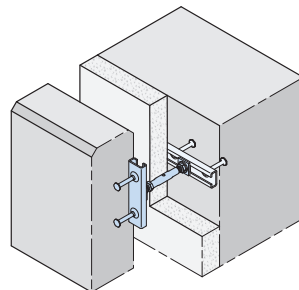
- cavity 60 – 300 mm
- tension load capacity  $F_{Rd} = 9.0$  kN
- assumed compression load depends on the spacer bolt



#### Restraint with turnbuckle SPV

Page 33

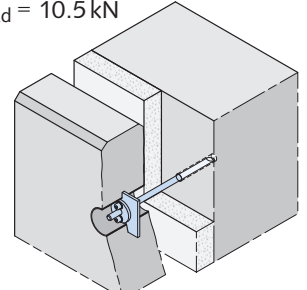
- cavity 100 – 200 mm
- tension and compression load capacity  $F_{Rd} = 14.0$  kN



#### Wind anchor WDI / WDK

Page 34 – 35

- front installation
- tension and compression resistant connection
- load capacity  
WDK:  $F_{Rd} = 4.5$  kN  
WDI:  $F_{Rd} = 10.5$  kN

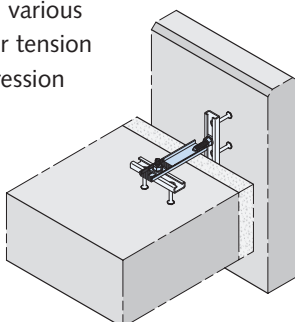


### Tension and pressure resistant connection for lateral orthogonal surfaces

#### Restraint tie HKZ

Page 36 – 37

Hammer-head restraint in various versions for tension and compression loads

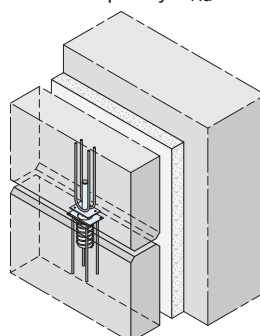


### Dowel restraints

#### Dowel restraints HFV

Page 38 – 40

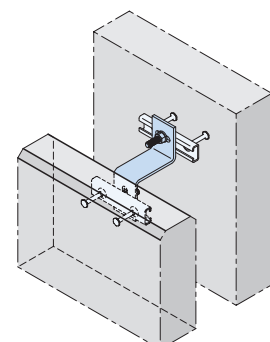
- shear load capacity  $F_{Rd} = 7.5$  kN



### Universal tie

#### Universal tie ULZ

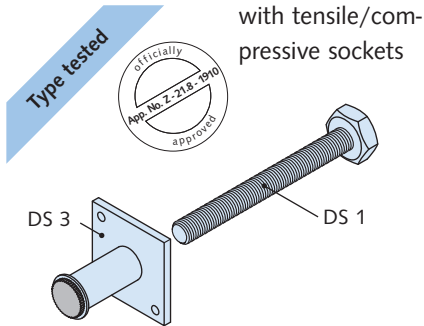
Page 41 – 43



# HALFEN CONCRETE FAÇADE ANCHOR SYSTEMS

## Horizontal Anchoring and Dowel Restraints

### DS 13



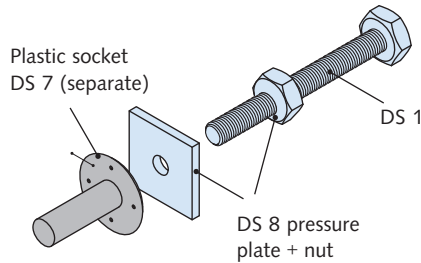
with tensile/compressive sockets

#### Spacer bolt DS 13

consists of:  
Spacer bolt DS 1  
Tensile/compressive socket DS 3

### DS 18

with pressure plate



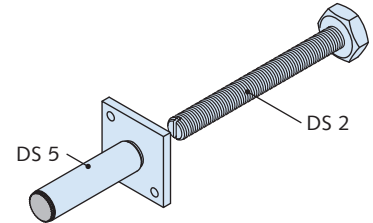
#### Spacer bolt DS 18

consists of:  
Spacer bolt DS 1  
Pressure plate DS 8 including nut

The plastic socket DS 7 must be ordered separately.

### DS 25

with compressive socket, to be screwed on from the front



#### Spacer bolt DS 25

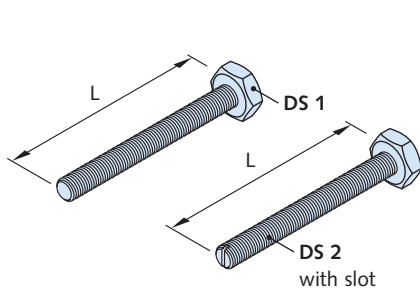
consists of:  
Spacer bolt DS 2  
Compressive socket DS 5

The DS 5 socket is open ended allowing the DS 2 bolt, which has a slot on the end of its shank to remain adjustable even after assembly.

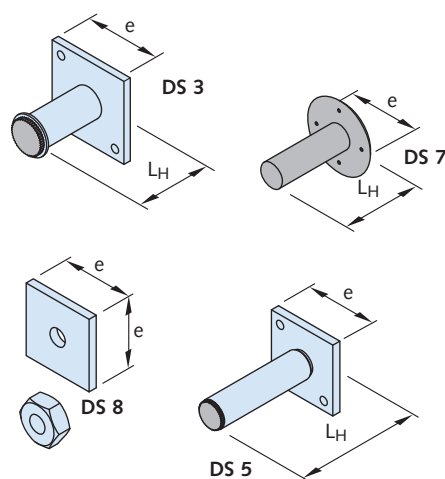


DS 18 and DS 25 are not suitable for use in conjunction with adjustable restraints LD (tensile loads!)

### Spacer bolts

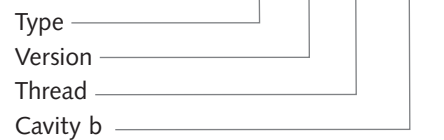


### Tensile/Compressive sockets



### Order example:

**DS 13 - 10 - 100**



### Component parts:

DS 13: Spacer bolt DS 1 and tensile/compressive socket DS 3  
DS 18: Spacer bolt DS 1 and pressure plate DS 8 including nut  
DS 25: Spacer bolt DS 2 and socket DS 5 accessible from panel surface

### Dimensions of sockets and pressure plates [mm]

Type	M10		M12		M16		M20		M24		M27		M30	
	L <sub>H</sub>	e	L <sub>H</sub>	e	L <sub>H</sub>	e	L <sub>H</sub>	e	L <sub>H</sub>	e	L <sub>H</sub>	e	L <sub>H</sub>	e
DS 3	63	50	64	50	70	50	77	70	80	70	81	80	80	90
DS 7	70	41	70	41	80	45	80	50	-	-	-	-	-	-
DS 8	-	50	-	50	-	50	-	70	-	-	-	-	-	-
DS 5	①	50	①	50	①	50	①	70	①	70	-	-	-	-

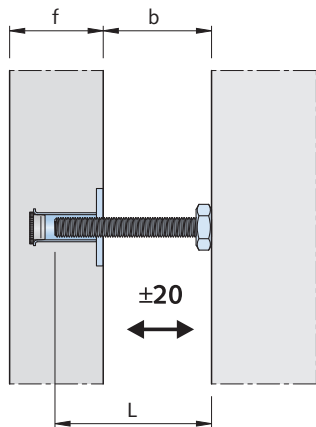
① Please provide the length and panel thickness f when ordering (for DS5, L<sub>H</sub> = f)

# HALFEN CONCRETE FAÇADE ANCHOR SYSTEMS

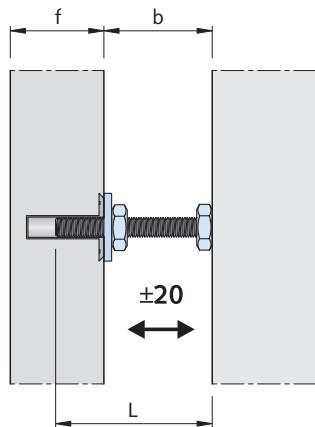
## Horizontal Anchoring and Dowel Restraints

### Dimensions of DS Spacer bolts

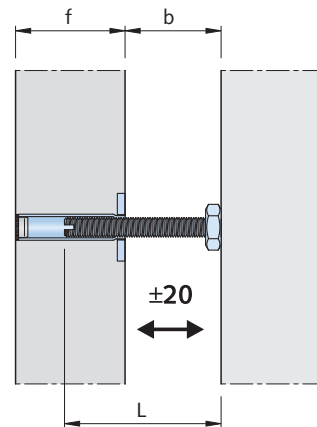
DS 13



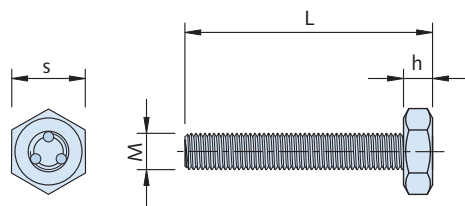
DS 18



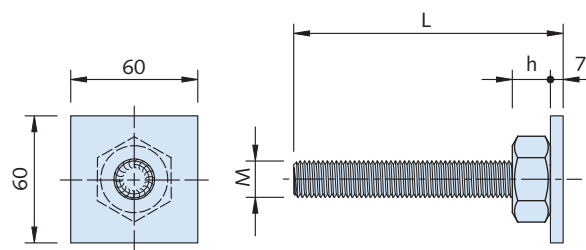
DS 25



### DS 1 (M10 - M20) and DS 2 (M10 - M20)



### DS 1 (M24 - M30) and DS 2 (M24)



### Lengths of DS Spacer bolts [mm]

Type	M10		M12		M16		M20		M24		M27		M30	
s	19		24		30		41		36		41		46	
h	8		10		13		16		19		22		24	
Spacer bolt	DS 13/25	DS 18	DS 13/25	DS 18	DS 13/25	DS 18	DS 13/25	DS 18	DS 13/25	DS 18	DS 13	DS 18	DS 13	DS 18
b = 40mm	70	90	72	92	75	95	80	100	-	-	-	-	-	-
b = 60mm	90	110	92	112	95	115	100	120	105	-	-	-	-	-
b = 80mm	110	130	112	132	115	135	120	140	125	-	-	-	-	-
b = 100mm	130	150	132	152	135	155	140	160	145	-	145	-	145	-
b = 120mm	150	170	152	172	155	175	160	180	165	-	165	-	165	-
b = 140mm	170	190	172	192	175	195	180	200	185	-	185	-	185	-
b = 160mm	190	210	192	212	195	215	200	220	205	-	205	-	205	-
b = 180mm	210	230	212	232	215	235	220	240	225	-	225	-	225	-
b = 200mm	230	250	232	252	235	255	240	260	245	-	245	-	245	-
b = 220mm	250	-	252	-	255	275	260	280	265	-	265	-	265	-
b = 240mm	-	-	-	-	275	295	280	300	285	-	285	-	285	-
b = 260mm	-	-	-	-	295	315	300	320	305	-	305	-	305	-
b = 280mm	-	-	-	-	315	335	320	340	325	-	325	-	325	-
b = 300mm	-	-	-	-	335	-	340	-	345	-	345	-	345	-
b = 320mm	-	-	-	-	355	-	360	-	365	-	365	-	365	-
b = 340mm	-	-	-	-	375	-	380	-	385	-	385	-	385	-
b = 360mm	-	-	-	-	395	-	400	-	405	-	405	-	405	-
b = 380mm	-	-	-	-	415	-	420	-	425	-	425	-	425	-
b = 400mm	-	-	-	-	435	-	440	-	445	-	445	-	445	-

Longer lengths on request

# HALFEN CONCRETE FAÇADE ANCHOR SYSTEMS

## Load-bearing Capacity of HALFEN Spacer Bolts Depending on the Reinforcement

Compressive load capacity $F_{D,Rd}$ [kN] for HALFEN Spacer bolts (for C 30/37, mesh reinforcement Q 188, $c_{nom} = 35\text{mm}$ ) without corner or edge effects																				
Spacer bolt	Panel thickness $f$ [mm]	Cavity $b$ [mm]																		
		60	80	100	120	140	160	180	200	220	240	260	280	300	320	340	360	380	400	
M10	70	9.0	9.0	9.0	8.6	7.5	6.1	5.3	4.6	3.8	3.4	2.8	2.5	2.3	1.9	1.7	1.5	1.3	1.2	
	80	9.8	9.8	9.8	8.6	7.5	6.1	5.3	4.6	3.8	3.4	2.8	2.5	2.3	1.9	1.7	1.5	1.3	1.2	
	90	12.8	12.1	10.5	8.6	7.5	6.1	5.3	4.6	3.8	3.4	2.8	2.5	2.3	1.9	1.7	1.5	1.3	1.2	
M12	70	9.1	9.1	9.1	9.1	9.1	9.1	9.1	8.5	7.2	6.4	5.4	4.8	4.4	3.7	3.4	2.9	2.6	2.4	
	80	10.0	10.0	10.0	10.0	10.0	10.0	9.6	8.5	7.2	6.4	5.4	4.8	4.4	3.7	3.4	2.9	2.6	2.4	
	90	12.4	12.4	12.4	12.4	12.4	10.8	9.6	8.5	7.2	6.4	5.4	4.8	4.4	3.7	3.4	2.9	2.6	2.4	
	100	17.1	17.1	17.1	14.5	12.9	10.8	9.6	8.5	7.2	6.4	5.4	4.8	4.4	3.7	3.4	2.9	2.6	2.4	
M16	80	10.9	10.9	10.9	10.9	10.9	10.9	10.9	10.9	10.9	10.9	10.9	10.9	10.9	10.9	10.9	9.9	8.5	7.9	7.3
	90	12.0	12.0	12.0	12.0	12.0	12.0	12.0	12.0	12.0	12.0	12.0	12.0	12.0	10.7	9.9	8.5	7.9	7.3	
	100	16.6	16.6	16.6	16.6	16.6	16.6	16.6	16.6	16.6	16.6	16.6	14.8	13.6	12.5	10.7	9.9	8.5	7.9	7.3
	120	29.5	29.5	29.5	29.5	29.5	26.0	23.8	21.8	18.8	17.3	14.8	13.6	12.5	10.7	9.9	8.5	7.9	7.3	7.3
	140	32.6	32.6	32.6	32.5	29.9	26.0	23.8	21.8	18.8	17.3	14.8	13.6	12.5	10.7	9.9	8.5	7.9	7.3	7.3
M20	100	17.0	17.0	17.0	17.0	17.0	17.0	17.0	17.0	17.0	17.0	17.0	17.0	17.0	17.0	17.0	17.0	16.6	15.6	15.6
	120	30.1	30.1	30.1	30.1	30.1	30.1	30.1	30.1	30.1	30.1	29.0	27.1	25.2	22.0	20.5	17.8	16.6	15.6	15.6
	140	46.8	46.8	46.8	46.8	46.8	46.3	43.3	40.5	35.6	33.2	29.0	27.1	25.2	22.0	20.5	17.8	16.6	15.6	15.6
	160	54.3	54.3	54.3	54.3	52.3	46.3	43.3	40.5	35.6	33.2	29.0	27.1	25.2	22.0	20.5	17.8	16.6	15.6	15.6
M24	120	28.6	28.6	28.6	28.6	28.6	28.6	28.6	28.6	28.6	28.6	28.6	28.6	28.6	28.6	28.6	28.6	28.6	28.1	28.1
	140	45.0	45.0	45.0	45.0	45.0	45.0	45.0	45.0	45.0	45.0	45.0	45.0	43.3	38.1	36.0	31.5	29.7	28.1	28.1
	160	65.0	65.0	65.0	65.0	65.0	65.0	65.0	65.0	58.1	54.9	48.7	45.9	43.3	38.1	36.0	31.5	29.7	28.1	28.1
	180	81.5	81.5	81.5	81.5	81.1	72.7	68.9	65.3	58.1	54.9	48.7	45.9	43.3	38.1	36.0	31.5	29.7	28.1	28.1
M27	140	44.4	44.4	44.4	44.4	44.4	44.4	44.4	44.4	44.4	44.4	44.4	44.4	44.4	44.4	44.4	44.4	44.3	42.1	42.1
	160	64.4	64.4	64.4	64.4	64.4	64.4	64.4	64.4	64.4	64.4	64.4	64.4	64.4	62.7	55.6	52.9	46.6	44.3	42.1
	180	88.0	88.0	88.0	88.0	88.0	88.0	88.0	88.0	81.4	77.6	69.3	65.9	62.7	55.6	52.9	46.6	44.3	42.1	42.1
	200	110.0	110.0	110.0	110.0	110.0	99.5	95.0	90.7	81.4	77.6	69.3	65.9	62.7	55.6	52.9	46.6	44.3	42.1	42.1
M30	160	65.9	65.9	65.9	65.9	65.9	65.9	65.9	65.9	65.9	65.9	65.9	65.9	65.9	65.9	65.9	62.2	59.4	56.7	56.7
	180	89.8	89.8	89.8	89.8	89.8	89.8	89.8	89.8	89.8	89.8	89.8	89.8	86.1	82.3	73.5	70.2	62.2	59.4	56.7
	200	117.3	117.3	117.3	117.3	117.3	117.3	117.3	115.9	104.6	100.2	90.0	86.1	82.3	73.5	70.2	62.2	59.4	56.7	56.7

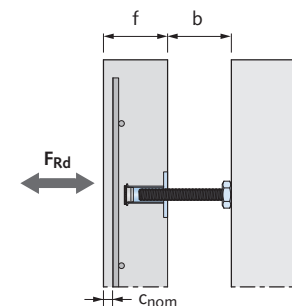
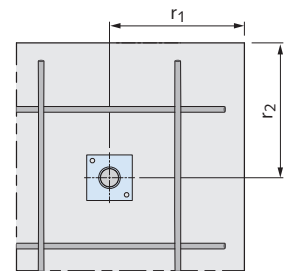
The load capacities have been reduced compared with the type test to allow for unfavourable actions during installation.

Compressive load capacity red $F_{D,Rd}$ [kN] for HALFEN Spacer bolts (for C 30/37, mesh reinforcement Q 188, $c_{nom} = 35\text{mm}$ ), <u>minimum edge distances</u> $r_{1/2,min}$													
Spacer bolt	Edge distance $r_{1/2,min}$ [mm]	Panel thickness $f$ [mm]											
		70	80	90	100	110	120	130	140	150	160	180	200
M10	50	5.0	5.5	6.0	6.4	8.3	10.5	12.8	13.3	13.3	13.3	13.3	13.3
M12	50	5.0	5.5	5.9	6.4	8.1	10.2	12.6	15.1	17.9	20.4	20.4	20.4
M16	50	5.0	5.5	5.9	6.3	7.9	10.0	12.3	14.9	17.6	20.6	27.3	32.6
M20	70	6.8	7.4	8.0	8.6	9.2	11.1	13.6	16.3	19.3	22.4	29.4	37.4
M24	70	6.7	7.4	8.0	8.5	9.1	10.6	13.1	15.8	18.6	21.8	28.7	36.5
M27	80	7.7	8.4	9.1	9.8	10.4	11.0	13.4	16.1	19.1	22.3	29.3	37.3
M30	90	8.7	9.5	10.3	11.0	11.7	12.4	14.2	17.1	20.2	23.4	30.7	38.9

The load capacities red  $F_{D,Rd}$  shown must not be higher than  $F_{D,Rd}$  for the actual wall cavity  $b$  (see top table).

DS 3: Tensile load capacity $F_{Z,Rd}$ [kN] (C30/37) for $r_1 / r_2 \geq r_0$											
Size	Edge distance $r_0$ [mm]	Slab thickness $f$ [mm]									
		70	80	90	100	120	130	140	150	≥ 160	
M10	85	9.0	9.8	10.6	11.4	12.3	12.3	12.3	12.3	12.3	12.3
M12	90	9.1	10.0	10.8	11.6	12.7	12.7	12.7	12.7	12.7	12.7
M16	95	9.9	10.9	11.7	12.6	14.2	14.7	14.7	14.7	14.7	14.7
M20	105	10.8	11.9	12.8	13.8	15.5	16.4	17.2	17.2	17.2	17.2
M24	110	11.2	12.3	13.3	14.2	16.1	17.0	17.8	18.3	18.3	18.3
M27	115	11.4	12.5	13.5	14.5	16.3	17.2	18.1	18.9	18.9	18.9
M30	120	11.7	12.8	13.9	14.9	16.8	17.7	18.6	19.5	19.9	19.9

### Mesh reinforcement



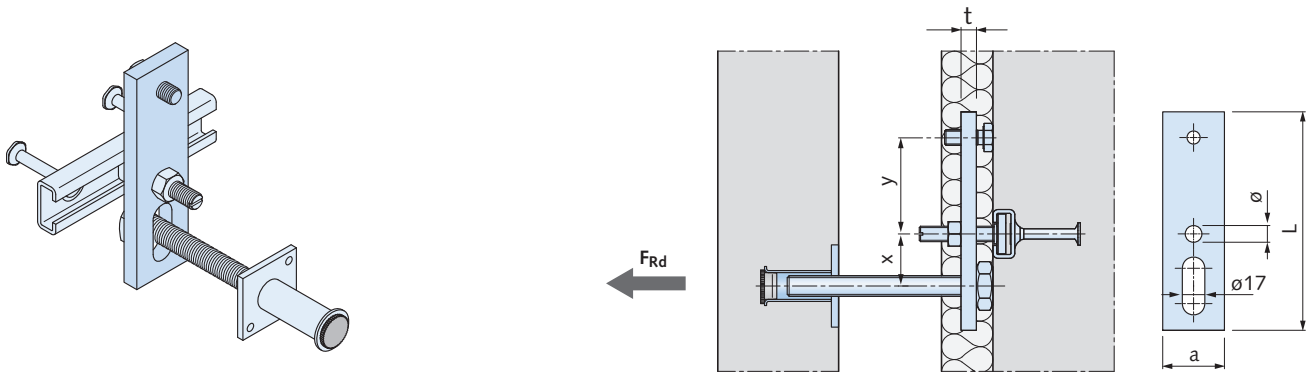
Please use our **FPA-Software** dimensioning software to calculate exact loads and load capacities

# HALFEN CONCRETE FAÇADE ANCHOR SYSTEMS

## Tension and Pressure Resistant Connection in the Space Between Parallel Surfaces

### HALFEN LD Adjustable restraint

**Application:** for tensile and compressive loads



#### Order example

Article name: **LD - 3,5**

Type \_\_\_\_\_

Load group \_\_\_\_\_

Order the spacer bolt separately, refer to page 28

#### Component part

##### Adjustable restraint with set-screw

HALFEN approved dowels can also be used instead of HALFEN Cast-in channel and HALFEN Bolts.

The HALFEN LD Adjustable restraint can be combined with the M10, M12 and M16 spacer bolts.  
When using with M10 spacer bolts, DIN 9021 washers must be fitted between the bolt head and the slot (order separately).

#### Installation

1. Insert the spacer bolt through the slot in the bracket (a washer is required for M10 thread spacer bolts).
2. Screw the spacer bolt into the socket and adjust.
3. Pre-mount on the HALFEN Cast-in channel.
4. Adjust the screw so that the panel is parallel to the main construction.
5. Tighten the HALFEN Bolt.

Dimension table HALFEN LD Adjustable restraint

Type	Load group	Load capacity $F_{Rd}$ [kN]	L [mm]	a [mm]	t [mm]	$x \pm 15$ [mm]	y [mm]	$\phi$ [mm]	Recommended fixing ①	HALFEN Bolt ②
LD	2.0	3.00	161	40	10	38	75	11	HTA-CE 28/15	HS 28/15 M10x40
	3.5	5.25	170	48	12	40	75	13	HTA-CE 38/17	HS 38/17 M12x50
	6.0	9.00	182	60	15	49	75	17	HTA-CE 49/30	HS 50/30 M16x60

① Short items 150, 200 and 250mm long must be ordered separately. Respective boundary conditions must be considered when verifying the anchorage.

② HALFEN Bolts must be ordered separately

For allowable compressive forces, see "spacer bolts" on page 30

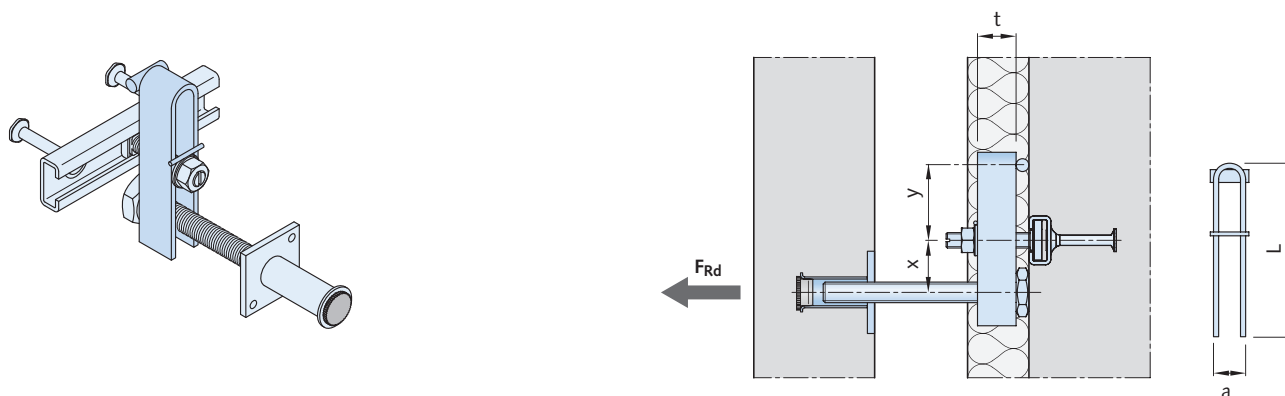


# HALFEN CONCRETE FAÇADE ANCHOR SYSTEMS

## Tension and Pressure Resistant Connection in the Space Between Parallel Surfaces

### HALFEN LD-A Adjustable restraint anchor

**Application:** tension and pressure resistant connection



#### Order example

Article name: **LD-A - 3.5 - 12**

Type \_\_\_\_\_

Load group \_\_\_\_\_

Thread of the spacer bolt \_\_\_\_\_

#### Component part

##### Clamping fork

Order the spacer bolt separately, refer to page 28

#### Application

Tension and pressure resistant connection of curtain facing panels with on-site concrete element production. Adjustable in three directions.

#### HALFEN LD-A Adjustable restraint anchor

Type	Load group	Load capacity $F_{Rd}$ [kN]	L [mm]	a [mm]	t [mm]	x $\pm 15$ [mm]	y [mm]	Spacer bolt	Recommended fixing ①	HALFEN Bolt ②	Washer DIN
LD-A	1.8	2.70	130	21	22	40	60	M12	HTA-CE 28/15	HS 28/15 M10x50	DIN 9021
	1.8	2.70	130	25	22	40	60	M16	HTA-CE 28/15	HS 28/15 M10x50	DIN 9021
	3.5	5.25	135	21	30	40	60	M12	HTA-CE 38/17	HS 38/17 M12x60	DIN 125
	3.5	5.25	135	25	30	40	65	M16	HTA-CE 38/17	HS 38/17 M12x60	DIN 9021
	3.5	5.25	135	29	30	40	65	M20	HTA-CE 38/17	HS 38/17 M12x60	DIN 9021
	6.0	9.00	135	27	35	40	60	M16	HTA-CE 49/30	HS 50/30 M16x80	DIN 125
	6.0	9.00	135	31	35	40	60	M20	HTA-CE 49/30	HS 50/30 M16x80	DIN 125

① Short items 150, 200 and 250mm in length must be ordered separately. Respective boundary conditions must be considered when verifying the anchorage.

② HALFEN Bolts must be ordered separately

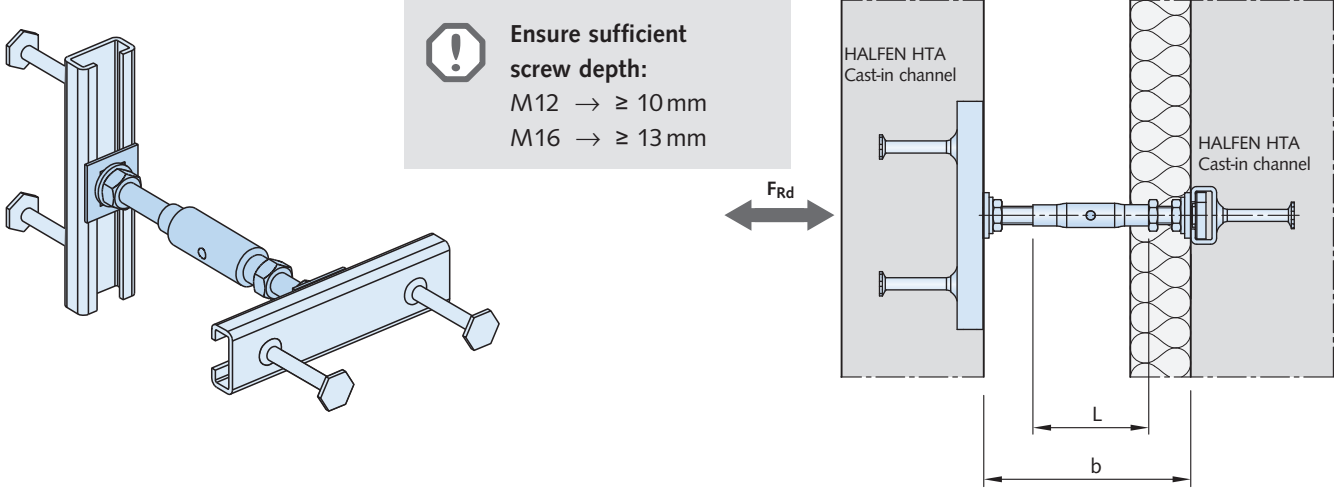
For allowable compressive forces, see "spacer bolts" on page 30

# HALFEN CONCRETE FAÇADE ANCHOR SYSTEMS

## Tension and Pressure Resistant Connection in the Space Between Parallel Surfaces

### HALFEN SPV Restraint with turnbuckle

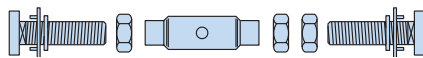
**Application;** tension and pressure resistant connection



#### Product characteristics

The turnbuckle SPV Restraint is suitable for taking up compressive and tensile loads up to  $F_{Ed} = 14.0 \text{ kN}$  and for clearances up to 200 mm. Spacings, within the set range, can be continuously adjusted by turning the right/left hand threaded clamping sleeve. The clamp is fitted to the building components using HALFEN Cast-in channels (order separately).

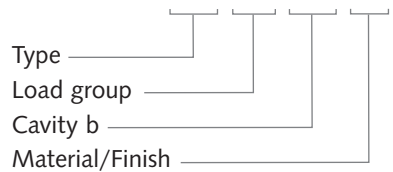
#### Included parts



- turnbuckle SPH
- 2 HALFEN T-head bolts (1 right-hand thread, 1 left-hand thread)
- 3 flat surface nuts
- 2 washers and
- 2 locking washers SIC

#### Order example

Article name: **SPV - 7.0 - 100 - A4**



HALFEN Cast-in channels must be ordered separately

### HALFEN SPV Restraint with turnbuckle

Load group		5.0			7.0			10.0		
Load capacity $F_{Rd}$ [kN]		$\pm 7.5$			$\pm 10.0$			$\pm 15.0$		
Type	Cavity	HALFEN Spacer bolt left-hand thread	Turn-buckle	HALFEN Spacer bolt right-hand thread	HALFEN Spacer bolt left-hand thread	Turn-buckle	HALFEN Spacer bolt right-hand thread	HALFEN Spacer bolt left-hand thread	Turn-buckle	HALFEN Spacer bolt right-hand thread
	b [mm]	M12 [mm]	L [mm]	M12 [mm]	M16 [mm]	L [mm]	M16 [mm]	M16 [mm]	L [mm]	M16 [mm]
SPV	100 ±10 ②	50	60	40	50	60	40	-	-	-
	120 ±15	50	75	40	50	75	40	-	-	-
	140 ±15	50	75	60	50	75	60	80	60	50
	160 ±15	50	95	60	50	95	60	80	75	50
	180 ±15	50	115	60	50	115	60	80	95	50
	200 ±15	50	135	60	50	135	60	80	115	50
Recommended fixing		HTA-CE 38/17 ①			HTA-CE 38/17 ①			HTA-CE 49/30 ①		

① Short elements 150, 200 and 250. The respective boundary conditions must be taken into consideration when verifying the anchorage.

② Minimum tolerance is limited for load group 7.0

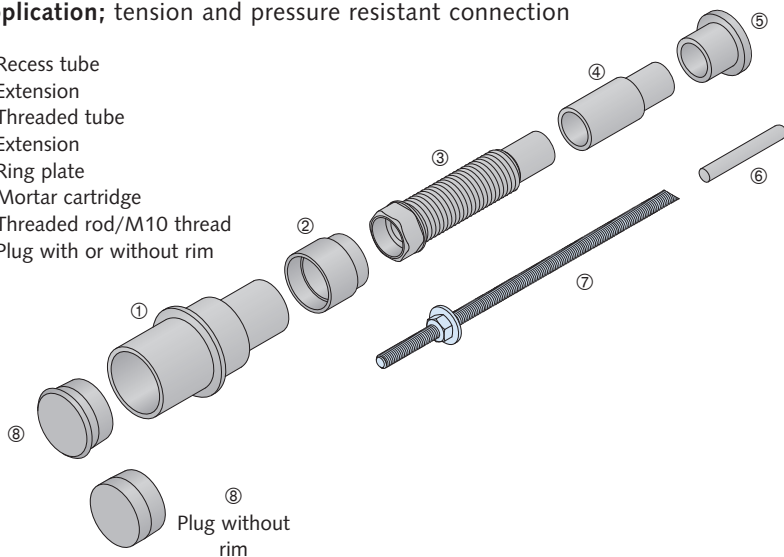
# HALFEN CONCRETE FAÇADE ANCHOR SYSTEMS

## Tension and Pressure Resistant Connection in the Cavity Between Parallel Surfaces

### HALFEN WDK - 3.0 Plastic wind anchor for push-through installation

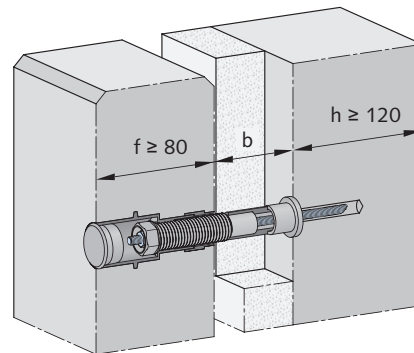
#### Application; tension and pressure resistant connection

- ① Recess tube
- ② Extension
- ③ Threaded tube
- ④ Extension
- ⑤ Ring plate
- ⑥ Mortar cartridge
- ⑦ Threaded rod/M10 thread
- ⑧ Plug with or without rim

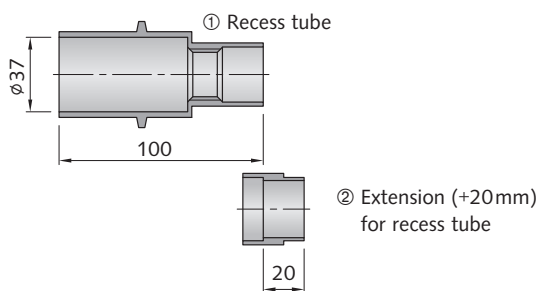


Load group = 3.0

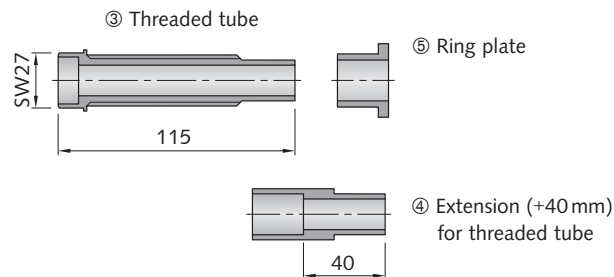
Load capacity  $F_{Rd} = \pm 4.5 \text{ kN}$   
(determined in tension and pressure tests)



#### Installation parts



#### Component parts



#### HALFEN WDK - 3.0 Plastic wind anchor, selection table depending on f and b

Article description		⑧ Plug with rim *	① Recess tube	① Recess tube ② + extension	② Extension	③ Threaded tube ⑤ + ring plate	④ Extension **	⑦ Threaded rod ⑥ + mortar cartridge	
Order no. f	b	WDK-STR 0250.060-00001	WDK-E-3.0-100 0247.010-00001	WDK-E-3.0-120 0247.010-00002	WDK-E-3.0-VRL20 0247.010-00003	WDK-M 0247.020-00001	WDK-M-3.0-VRL40 0247.020-00004	Type	0430.010-
80	60	1	1	-	-	1	-	1	WDK-DUE-3.0-100- 20/ 60-A4 00014
80	80	1	1	-	-	1	-	1	WDK-DUE-3.0-100- 20/ 60-A4 00014
80	100	1	1	-	-	1	1	1	WDK-DUE-3.0-100- 70/100-A4 00015
80	120	1	1	-	-	1	1	1	WDK-DUE-3.0-100- 70/100-A4 00015
100	60	1	1	-	-	1	-	1	WDK-DUE-3.0-100- 20/ 60-A4 00014
100	80	1	1	-	-	1	1	1	WDK-DUE-3.0-100- 70/100-A4 00015
100	100	1	1	-	-	1	1	1	WDK-DUE-3.0-100- 70/100-A4 00015
100	120	1	1	-	-	1	2	1	WDK-DUE-3.0-100-110/140-A4 00016
120	60	1	-	1	-	1	1	1	WDK-DUE-3.0-100- 70/100-A4 00015
120	80	1	-	1	-	1	1	1	WDK-DUE-3.0-100- 70/100-A4 00015
120	100	1	-	1	-	1	2	1	WDK-DUE-3.0-100-110/140-A4 00016
120	120	1	-	1	-	1	2	1	WDK-DUE-3.0-100-110/140-A4 00016
120	140	1	-	1	-	1	3 **	1	WDK-DUE-3.0-100-150/180-A4 00017

\* Alternative: Plug without rim WDK-STO, order no. 0250.060-00002

\*\* When using more than two extensions ④, additional spacer bolts (e.g. DS 13) spaced approx. 15 - 30 cm apart must be used to take up the pressure.

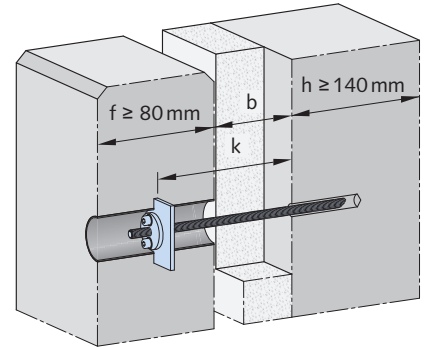
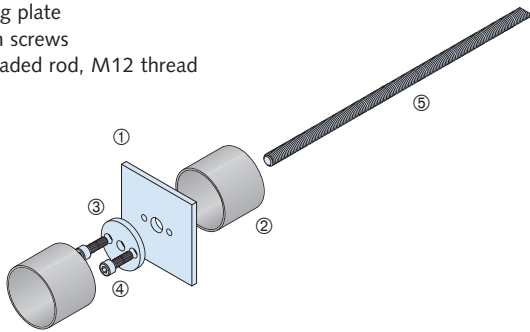
# HALFEN CONCRETE FAÇADE ANCHOR SYSTEMS

## Tension and Pressure Resistant Connection in the Cavity Between Parallel Surfaces

### HALFEN WDI Wind anchor for push-through installation

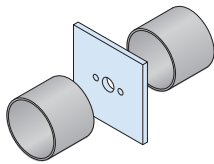
**Application:** tension and pressure resistant connection

- ① Pressure distribution plate
- ② Recess tubes
- ③ Fixing plate
- ④ Allen screws
- ⑤ Threaded rod, M12 thread



Load group = 7.0, Load capacity  $F_{Rd} = \pm 10.5 \text{ kN}$   
 Compression load capacity applies only for  $k \leq 270 \text{ mm}$ .  
 For  $k > 270 \text{ mm}$ , pressure loads must be verified.

#### Installation parts

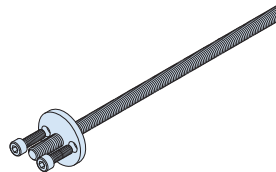


**WDI-7.0-E**, order no. 0247.030-f  
 includes:

- ① 1 × Pressure distribution plate
- ② 2 × Recess tube

Please provide dimension "f"  
 when ordering.

#### Installation parts

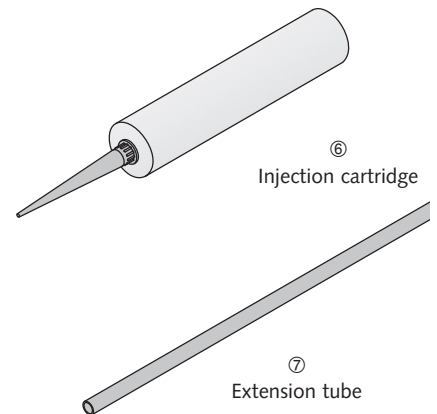


**WDI-7.0-M**, order no. 0247.040-f-b  
 includes:

- ③ 1 × Fixing plate
- ④ 2 × Allen screw
- ⑤ 1 × Threaded rod

Please provide dimension "f"  
 and "b" when ordering.

#### Mortar set



#### Injection Set

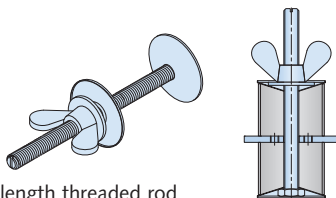
Order no. 0250.110-00006

sufficient for approx. 30 drill holes,  
 consists of:

- ⑥ 1 pcs. Injection cartridge including static mixer
- ⑦ 1 pcs. Extension tube 1 m

For installation, please refer to the  
 assembly instructions.

#### Installation accessories



L = length threaded rod

#### WDI-Z2,

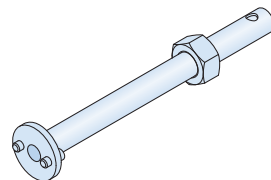
L=240 order no. 0250.110-00010

L=330 order no. 0250.110-00018

L=490 order no. 0250.110-00019

Fitting for holding components  
 accurately in place while concreting.  
 Threaded rod M14.

#### Setting tool



**WDI-Z4**, order no. 0250.110-00011



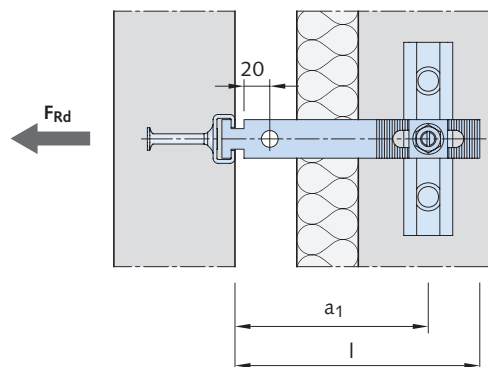
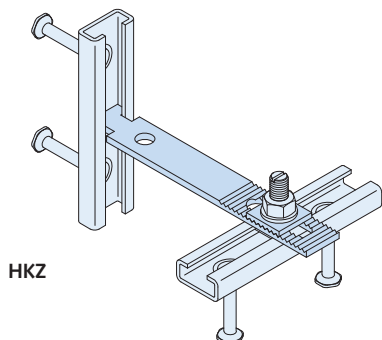
Multi-language assembly instructions can be found  
 at [www.halfen.com/downloads/brochures](http://www.halfen.com/downloads/brochures).  
 Or simply scan the code and select the required document.

# HALFEN CONCRETE FAÇADE ANCHOR SYSTEMS

## Tension Resistant Connection for Orthogonal Surfaces

### HALFEN HKZ Restraint tie

**Application:** for tensile loads only



### Product characteristics

The serration in the tie and the counter-plate guarantee an efficient static load transmission. HALFEN Cast-in channels are cast in at right-angles to each other to ensure three-dimensional adjustability.

### Order example

Article name: **HKZ-38/17 - 100 - A4**  
 Type \_\_\_\_\_  
 Cavity  $a_1$  \_\_\_\_\_  
 Material (GV/A4) \_\_\_\_\_

### Component parts

- hammer-head tie with serration
- serrated counter-plate

Order the HALFEN Cast-in channels and HALFEN Bolts separately

### HALFEN HKZ Restraint tie

Characteristics:		Type selection: GV = galvanized ②	Type selection: A4 = stainless steel grade W 1.4571/1.4401	Dimensions				Recommended fixing ①
Load group	Load capacity (tension) $F_{Rd}$ [kN]	Type	Type	Length $l$ [mm]	Cavity $a_1$ [mm]	Tolerance [mm]	Slot [mm]	
3.5	4.9	HKZ 28/15 - 50 - GV	HKZ 28/15 - 50 - A4	90	50	$a_1 \pm 20$	11x55	HTA-CE 28/15 HS 28/15 M10x30 torque $M_A = 15 \text{ Nm}$
		HKZ 28/15 - 75 - GV	HKZ 28/15 - 75 - A4	115	75			
		HKZ 28/15 - 100 - GV	HKZ 28/15 - 100 - A4	140	100			
		HKZ 28/15 - 125 - GV	HKZ 28/15 - 125 - A4	165	125			
		HKZ 28/15 - 150 - GV	HKZ 28/15 - 150 - A4	190	150			
		HKZ 28/15 - 175 - GV	HKZ 28/15 - 175 - A4	215	175			
		HKZ 28/15 - 200 - GV	HKZ 28/15 - 200 - A4	240	200			
		HKZ 28/15 - 225 - GV	HKZ 28/15 - 225 - A4	265	225			
7.0	9.8	HKZ 38/17 - 75 - GV	HKZ 38/17 - 75 - A4	115	75	$a_1 \pm 20$	13x55	HTA-CE 38/17 HS 38/17 M12x50 torque $M_A = 25 \text{ Nm}$
		HKZ 38/17 - 100 - GV	HKZ 38/17 - 100 - A4	140	100			
		HKZ 38/17 - 125 - GV	HKZ 38/17 - 125 - A4	165	125			
		HKZ 38/17 - 150 - GV	HKZ 38/17 - 150 - A4	190	150			
		HKZ 38/17 - 175 - GV	HKZ 38/17 - 175 - A4	215	175			
		HKZ 38/17 - 200 - GV	HKZ 38/17 - 200 - A4	240	200			
		HKZ 38/17 - 225 - GV	HKZ 38/17 - 225 - A4	265	225			
		HKZ 38/17 - 250 - GV	HKZ 38/17 - 250 - A4	290	250			
		HKZ 38/17 - 275 - GV	HKZ 38/17 - 275 - A4	315	275			
		HKZ 38/17 - 300 - GV	HKZ 38/17 - 300 - A4	340	300			

① 150, 200 or 250mm short channel lengths or building regulation approved dowels  
The respective boundary conditions must be taken into consideration when verifying the anchor

② Limited use in facing panel anchorage!

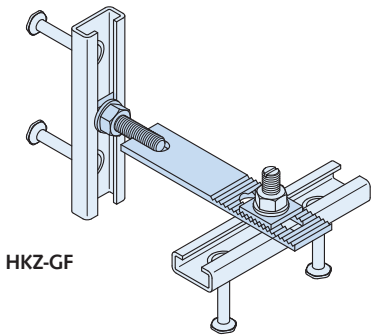


# HALFEN CONCRETE FAÇADE ANCHOR SYSTEMS

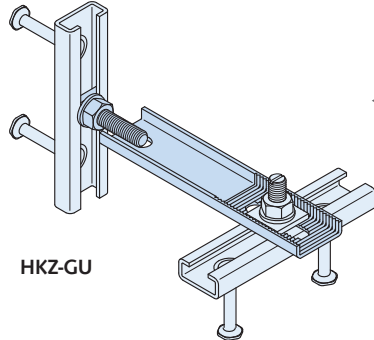
## Tension and Pressure Resistant Connection for Orthogonal Surfaces

### HALFEN HKZ-GF and HKZ-GU Restraint tie

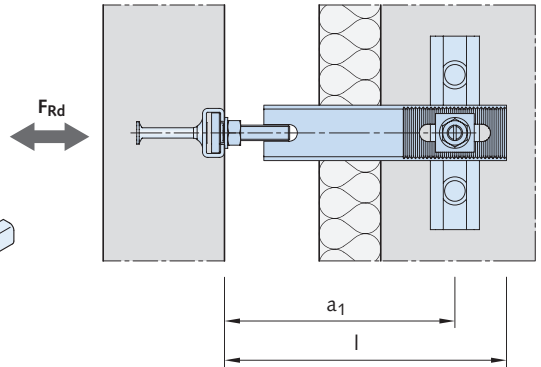
**Application:** For tensile and compressive loads



HKZ-GF



HKZ-GU



### Product characteristics

The serration in the strap and the counter-plate guarantee an effective static load transmission. Using HALFEN Bolts and serrated plates to attach the system together with HALFEN Cast-in channels guarantee a positive, slip-free wind-load transmission. Full three-dimensional adjustability during installation.

### Order example

Article name: **HKZ-GU-50/30 - 225 - A4**  
 Type \_\_\_\_\_  
 Cavity  $a_1$  \_\_\_\_\_  
 Material (GV/A4) \_\_\_\_\_

### Component parts

- tie with serrations, welded-on threaded rod and pre-assembled tapped plate, nut and washer
- serrated counter-plate

Order the HALFEN Cast-in channels and HALFEN Bolts separately

### HALFEN HKZ-GF and HKZ-GU Restraint tie

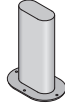
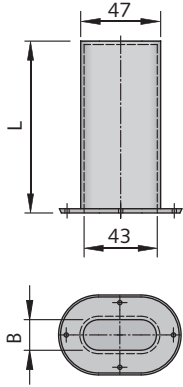
Characteristics:		Type selection:	Type selection:	Dimensions				Recommended fixing ①
Load group	Load capacity (tension / compression) $F_{Rd}$ [kN]	GV = galvanized ② type	A4 = stainless steel grade W 1.4571/1.4401 type	Length $l$ [mm]	Cavity $a_1$ [mm]	Tolerance [mm]	Slot [mm]	
3.5	4.9	HKZ - GF 28/15 - 75 - GV	HKZ - GF 28/15 - 75 - A4	115	75	$a_1 \pm 20$	11x55	HTA-CE 28/15 HS 28/15 M10x30 torque $M_A = 15 \text{ Nm}$
		HKZ - GF 28/15 - 100 - GV	HKZ - GF 28/15 - 100 - A4	140	100			
		HKZ - GF 28/15 - 125 - GV	HKZ - GF 28/15 - 125 - A4	165	125			
		HKZ - GF 28/15 - 150 - GV	HKZ - GF 28/15 - 150 - A4	190	150			
		HKZ - GF 28/15 - 175 - GV	HKZ - GF 28/15 - 175 - A4	215	175			
7.0	9.8	HKZ - GF 38/17 - 100 - GV	HKZ - GF 38/17 - 100 - A4	140	100	$a_1 \pm 20$	13x55	HTA-CE 38/17 HS 38/17 M12x50 torque $M_A = 25 \text{ Nm}$
		HKZ - GF 38/17 - 125 - GV	HKZ - GF 38/17 - 125 - A4	165	125			
		HKZ - GF 38/17 - 150 - GV	HKZ - GF 38/17 - 150 - A4	190	150			
		HKZ - GF 38/17 - 175 - GV	HKZ - GF 38/17 - 175 - A4	215	175	$a_1 \pm 20$	13x60	
		HKZ - GU 38/17 - 200 - GV	HKZ - GU 38/17 - 200 - A4	240	200			
		HKZ - GU 38/17 - 225 - GV	HKZ - GU 38/17 - 225 - A4	265	225			
		HKZ - GU 38/17 - 250 - GV	HKZ - GU 38/17 - 250 - A4	290	250			
12.0	16.8	HKZ - GU 50/30 - 200 - GV	HKZ - GU 50/30 - 200 - A4	240	200	$a_1 \pm 20$	17x60	HTA-CE 49/30 HS 50/30 M16x50 torque $M_A = 60 \text{ Nm}$
		HKZ - GU 50/30 - 225 - GV	HKZ - GU 50/30 - 225 - A4	265	225			
		HKZ - GU 50/30 - 250 - GV	HKZ - GU 50/30 - 250 - A4	290	250			
		HKZ - GU 50/30 - 275 - GV	HKZ - GU 50/30 - 275 - A4	315	275			
		HKZ - GU 50/30 - 300 - GV	HKZ - GU 50/30 - 300 - A4	340	300			

① 150, 200 or 250 mm short channel lengths or building regulation approved dowels  
 The respective boundary conditions must be taken into consideration when verifying the anchorage  
 ② Limited use in facing panel anchorage!

# HALFEN CONCRETE FAÇADE ANCHOR SYSTEMS

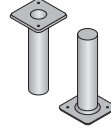
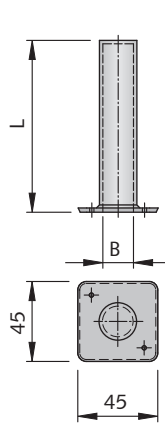
## HALFEN HFV Dowel Restraints in Plastic

### Oval sleeve HFV 1



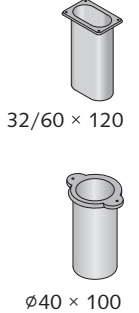
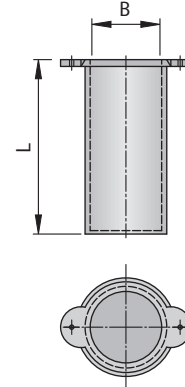
Material: Plastic

### Dowel sleeve HFV 5



Material: Plastic

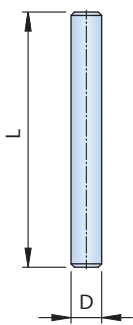
### Grouting sleeve HFV 9



Fill with mortar after positioning the dowel.

Material: Plastic

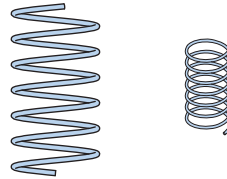
### Loose dowel HFV 3



Material: Stainless steel A4

### Spiral reinforcement HFV-B

for HFV 1, HFV 5 and HFV 9



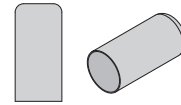
Material: Stainless steel A4

#### Spiral reinforcement 60 × 80 mm

Type	Order no. 0249.100-
HFV-B-WB	00001
HFV-B-A4	00002

### Cap HFV-K

for HFV 1



Material: Plastic

#### CAP HFV-K

Type	Order no. 0249.110-
HFV-K 2,5	00001
HFV-K 5,0	00002

### HALFEN HFV Dowel restraints (plastic)

Type	Upper and lower parts								Dowel HFV 3	
	HFV 1		HFV 5		HFV 9				D	L
load group	B [mm]	L [mm]	B [mm]	L [mm]	B [mm]	L [mm]	B [mm]	L [mm]	[mm]	[mm]
2.5	18	100	16.5	100	40	100	32/60	120	16	170
5.0	22	100	20.5	100	40	100	32/60	120	20	170

### Load capacities [kN] ①

Load group	HFV Type	Slab thickness f [mm]							
		Without reinforcement				With HFV B Spiral reinforcement			
		80	100	120	140	80	100	120	140
2.5	HFV 1	1,5	2,5	3,6	3,7	2,7	3,7	3,7	3,7
	HFV 5	2,4	3,3	3,7	3,7	3,7	3,7	3,7	3,7
	HFV 9	2,7	3,7	3,7	3,7	3,7	3,7	3,7	3,7
5.0	HFV 1	1,5	2,5	3,6	4,8	2,8	4,0	5,2	6,6
	HFV 5	2,5	3,6	4,8 <sup>②</sup>	6,0 <sup>②</sup>	5,5	6,7	7,5	7,5
	HFV 9	2,7	3,7	4,9 <sup>②</sup>	6,3 <sup>②</sup>	4,9	6,1	7,3	7,5

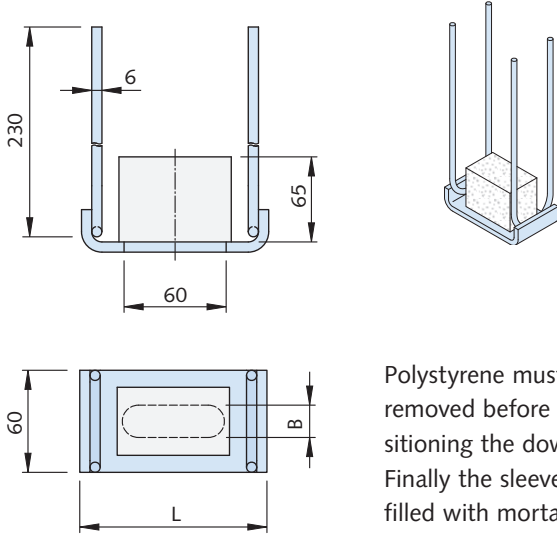
① values are typical loads. They apply to C30/37 with single layer rebar and a cavity width ≤ 20 mm (for C35/45 the loads can be increased by 10%)

② with double layer rebar (edge rebar near to the sleeve), the full bearing capacity (7.5 kN) can be assumed for slab thickness ≥ 120 mm even without additional reinforcement

# HALFEN CONCRETE FAÇADE ANCHOR SYSTEMS

## HALFEN HFV Dowel Restraints in Stainless Steel for Thin Building Elements

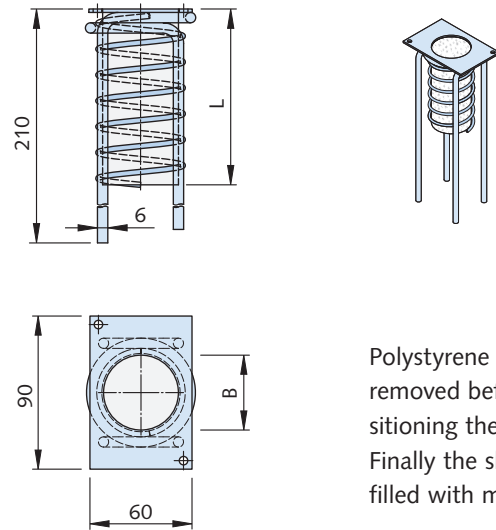
### Slotted plate HFV 2



Polystyrene must be removed before positioning the dowel. Finally the sleeve is filled with mortar.

**Material:** Stainless steel A4  
Recess former: polystyrene

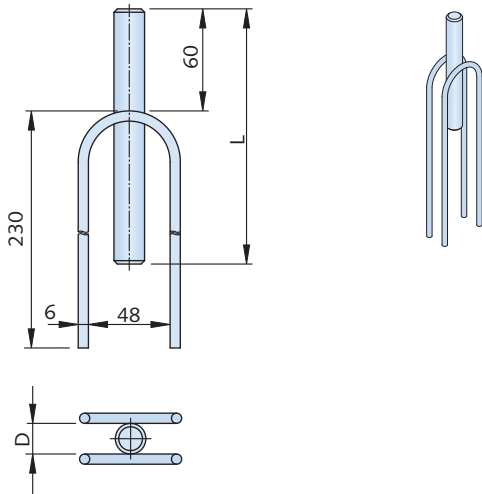
### Mortar sleeve HFV 4



Polystyrene must be removed before positioning the dowel. Finally the sleeve is filled with mortar.

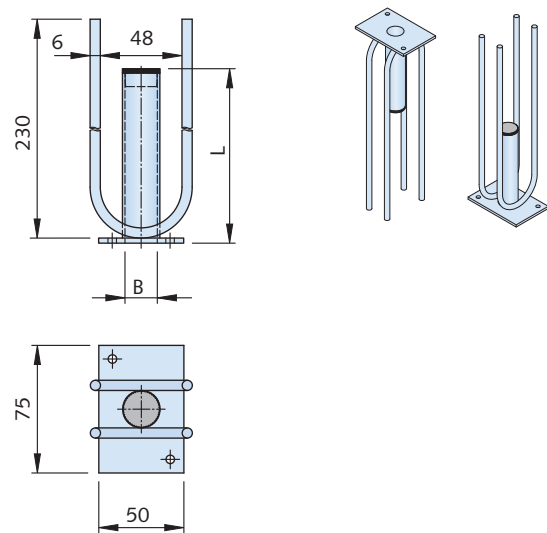
**Material:** Stainless steel A4  
Recess former: polystyrene

### Solid dowel HFV 7



**Material:** Stainless steel A4

### Dowel sleeve HFV 8



**Material:** Stainless steel A4

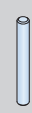

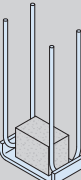
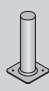
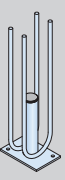
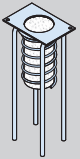
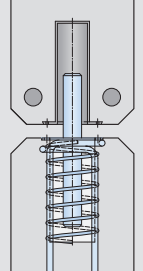
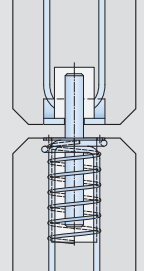
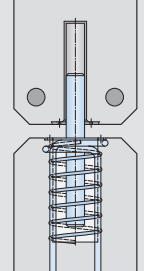
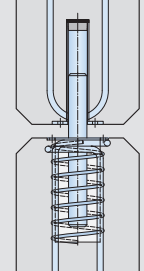

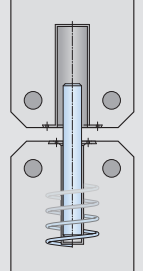
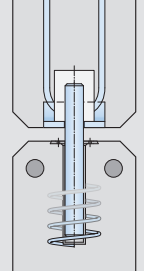
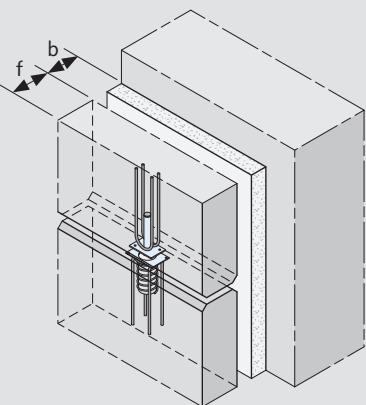

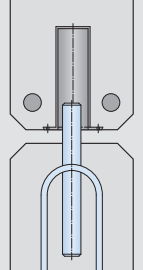
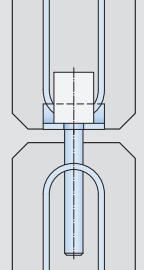
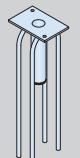
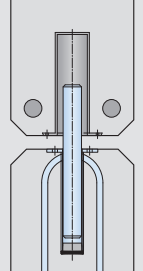
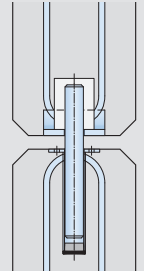
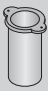
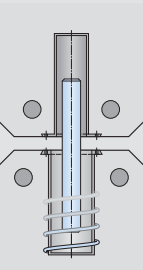
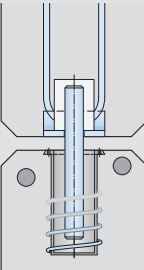
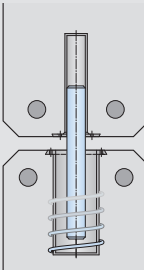
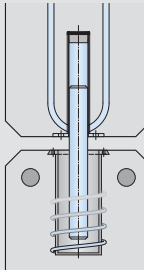
### HALFEN HFV Dowel restraints (stainless steel)

Type	HFV 2		HFV 4		HFV 7		HFV 8	
Load group ①	B [mm]	L [mm]	B [mm]	L [mm]	D [mm]	L [mm]	B [mm]	L [mm]
2.5	17	110	44	100	16	170	17	100
5.0	21	120	44	100	20	170	21	100

① For a joint width ≤ 20mm and a minimum slab thickness of 80mm

# HALFEN CONCRETE FAÇADE ANCHOR SYSTEMS

## Possible Combinations of HALFEN HFV Dowel Restraints

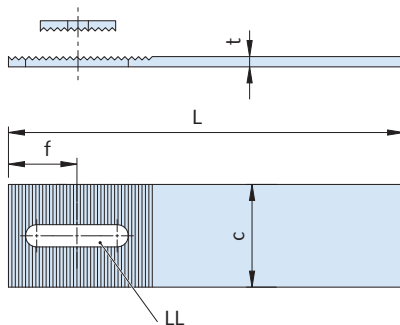
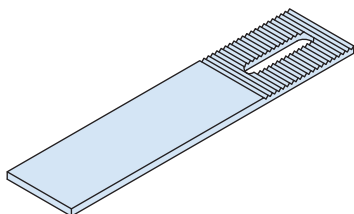
Dowel	HALFEN HFV Dowel restraints – upper parts				
	HFV 1	HFV 2	HFV 5	HFV 8	
<b>HFV 3</b> 					
<b>HFV 4</b> 					
<b>HFV 5</b> 			<p>e.g. Combination</p> <p>Upper part    <b>HFV 8</b></p> <p>Dowel        <b>HFV 3</b></p> <p>Lower part   <b>HFV 4</b></p> 		
<b>HFV 7 ①</b>  <p>Combina- tion with- out HFV 3</p>			<p>Order example:    <b>HFV - 8 3 4 - 2.5</b></p> <p>Restraint —————</p> <p>Upper part, type ———</p> <p>Dowel, type —————</p> <p>Lower part, type ———</p> <p>Load group —————</p>		
<b>HFV 8</b> 					
<b>HFV 9</b> 					

① Available on request

# HALFEN CONCRETE FAÇADE ANCHOR SYSTEMS

## ULZ Universal Ties

### HALFEN ULZ Serrated universal ties – basic body with locking plate

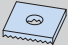


Order example: **ULZ - 40 - 6 - 200**

Type \_\_\_\_\_  
 Width c \_\_\_\_\_  
 Thickness t \_\_\_\_\_  
 Length L \_\_\_\_\_

**Material:** Stainless steel A4 S235,  
 higher strength classes  
 on request

#### HALFEN ULZ Serrated universal tie

Type	L [mm]	c [mm]	t [mm]	f [mm]	Slot [mm]	Locking plate 	Load capacity of the serration $F_{Rd}$ [kN] ①
ULZ	183	30	5	40	55/11	25/25/4 $\phi$ 11	4.9 torque $M_A = 15$ Nm
	233						
	283						
	333						
	200	40	6	45	55/13	30/30/5 $\phi$ 13	9.8 torque $M_A = 25$ Nm
	240						
	280						
	320						
	450	60	6	40	60/17	35/40/5 $\phi$ 17	16.8 torque $M_A = 60$ Nm
	240						
	320						
	450						
	240	80	8	45	60/17	35/40/5 $\phi$ 17	16.8 torque $M_A = 60$ Nm
	320						
	450						

Other dimensions on request

① Load capacity of the tie depends on the bend

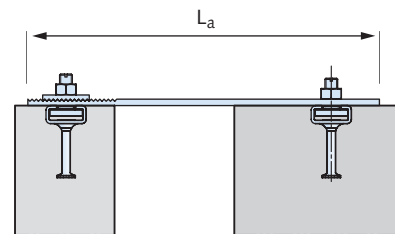
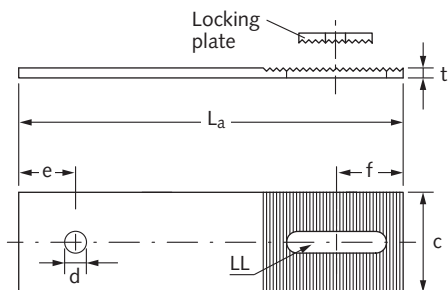
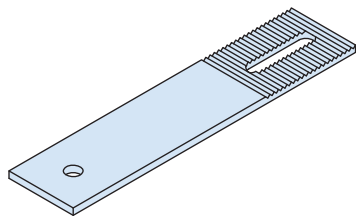


# HALFEN CONCRETE FAÇADE ANCHOR SYSTEMS

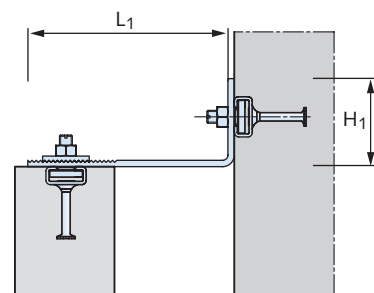
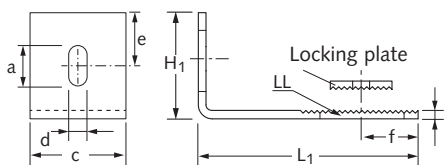
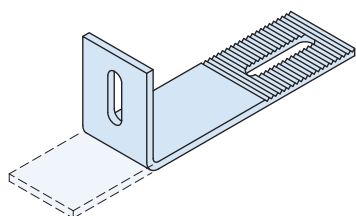
## ULZ Universal Ties: Factory Drawings

Delivery options for the ULZ Universal tie – on request

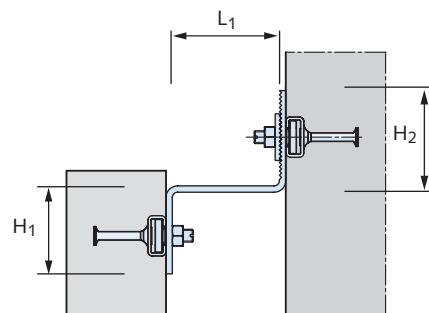
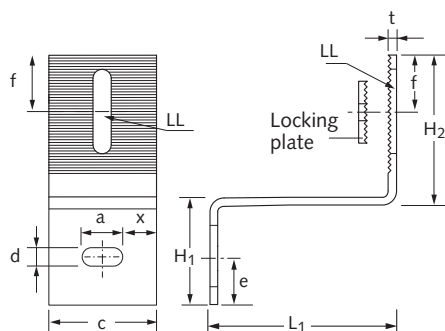
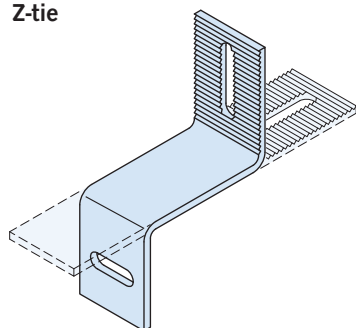
### 1 Flat-tie



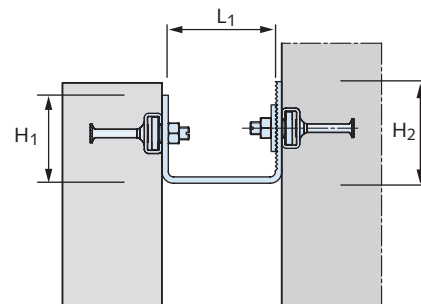
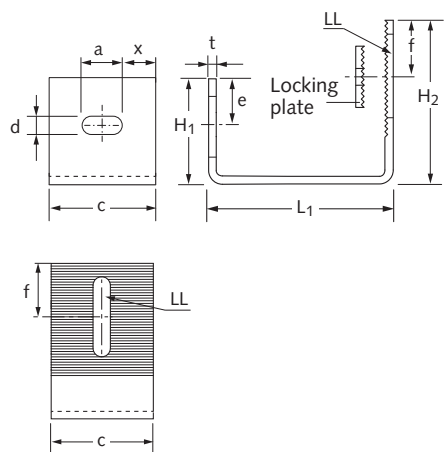
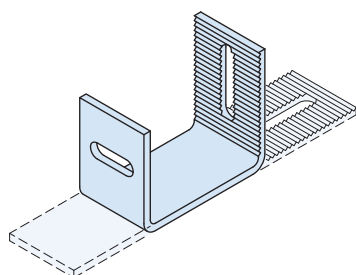
### 2 L-tie



### 3 Z-tie



### 4 U-tie



LL = Adjustment slot

Please provide dimensions when ordering. An order form is provided on page 43.

# HALFEN CONCRETE FAÇADE ANCHOR SYSTEMS

## ULZ Universal Ties

**Order form**

**Enquiry**       **Order**  
 (Please tick the appropriate box)

Please refer to the back cover of this catalogue for contact information for the worldwide HALFEN distributors network.

\_\_\_\_\_  
 Construction project

Company / Organisation \_\_\_\_\_

Address \_\_\_\_\_

Postcode/Zipcode \_\_\_\_\_

Contact person \_\_\_\_\_

Phone \_\_\_\_\_

Fax \_\_\_\_\_

e-mail \_\_\_\_\_

Pos.	Number	Type ULZ	L <sub>a</sub> [mm]	c [mm]	t [mm]	L1 [mm]	H1 [mm]	H2 [mm]	d [mm]	a [mm]	e [mm]
1		<input type="checkbox"/> Flat				-	-	-		-	
2		<input type="checkbox"/> L-tie	-					-			
3		<input type="checkbox"/> Z-tie	-								
4		<input type="checkbox"/> U-tie	-								

Note: For type  -  please enter **all** dimensions except in cells marked . Also see drawings on page 42.


\_\_\_\_\_  
 Delivery address  
 (only if different from order address)  
 \_\_\_\_\_  
 \_\_\_\_\_

\_\_\_\_\_  
 Date, signature

# HALFEN CONCRETE FAÇADE ANCHOR SYSTEMS

## Building Physics

### Calculation of thermal transmission coefficient

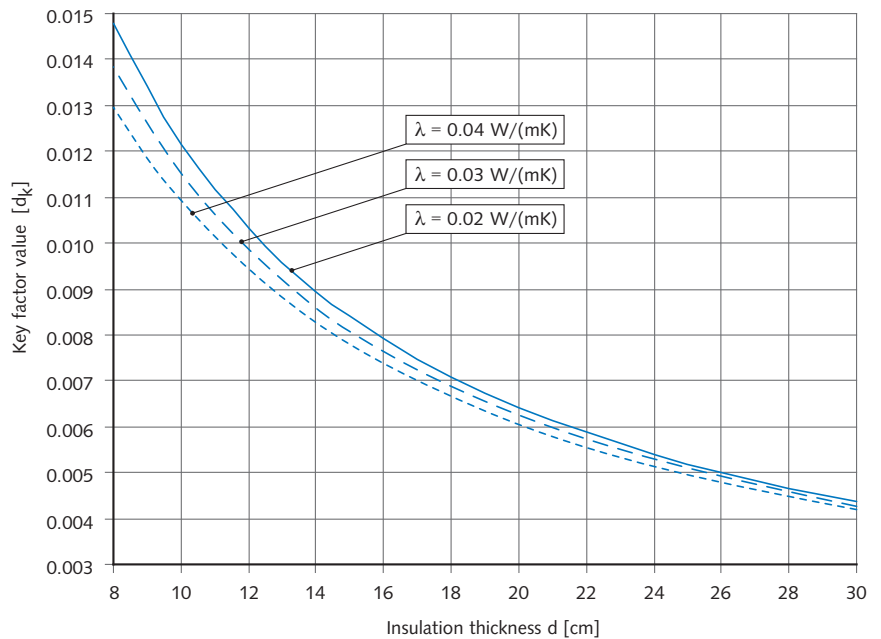
Calculation of the thermal transmission coefficient for HALFEN Façade panel anchors and pressure bolts is according to the illustrated method.



Confirmed by approved certified tests S 275/09.2-2

Anchor parameter $A_{eq}$				
Type HALFEN FPA	Load group	$A_{eq}$	Type HALFEN Spacer bolt	$A_{eq}$
FPA-3 FPA-5	5.0	0.95	DS - M10	1.1
	8.0	1.2	DS - M12	1.8
	11.5	1.7	DS - M16	3.4
	16.0	2.1	DS - M20	6.4
	22.0	2.3	DS - M24	6.8
	34.0	3.4	DS - M27	9.1
	46.0	5.5	DS - M30	12.4
	56.0	6.0	-	-

Diagram: Characteristic value for insulation material  $d_k$



**NEW!**

A HALFEN Excel-tool is available to calculate the heat transmission coefficient in the pre-planning stage. The tool can be downloaded from [www.halfen.com](http://www.halfen.com)

Insulation material	
d [cm]	
$\lambda$ [W/(mK)]	
$d_k$ [-]	

Calculation; heat transmission coefficient adjustment-factor				
Type FPA / type spacer bolt	$A_{eq}$	$\chi_i = A_{eq} \times d_k$	$n_a$ number of FPA / of spacer bolts per m <sup>2</sup>	$\Delta U_i = \chi_i \times n_a$
Heat transmission coefficient factor				
$\Sigma \Delta U_i = c_i \times n_a$				

## HALFEN CONCRETE FAÇADE ANCHOR SYSTEMS

### Tender Specification

#### HALFEN FPA-3 Precast panel anchors

HALFEN FPA-3 Precast panel anchors or similar with rear anchorage through in-situ concrete element.

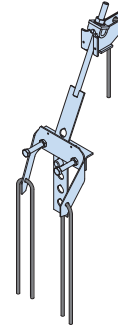
Building authority certified anchor; steel; corrosion resistance class III (in accordance with Z-30.3-6) for vertical load distribution of suspended pre-fabricated reinforced elements.

Slab size  $W \times H \times D = \dots$  [cm]

Structural wall thickness  $d = \dots$  [cm]

Wall cavity  $b = \dots$  [cm]

Subject to alternative requirements resulting from subsequent static calculation.



#### HALFEN FPA-5 Precast panel anchors

HALFEN FPA-5 Precast panel anchors or similar HALFEN Cast-in channels or tensile zone suitable dowels on a shell construction.

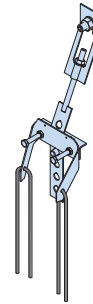
Building authority certified anchor; steel; corrosion resistance class III (in accordance with Z-30.3-6) for vertical load distribution of suspended precast reinforced elements.

Slab size  $W \times H \times D = \dots$  [cm]

Structural wall thickness  $d = \dots$  [cm]

Wall cavity  $b = \dots$  [cm]

Subject to alternative requirements resulting from subsequent static calculation.



#### HALFEN DS 13 Spacer bolt

HALFEN DS 13 Spacer bolts or similar to support the façade element.

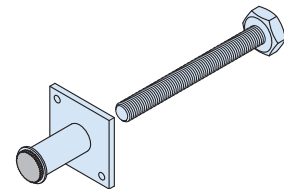
Type tested anchor/officially approved; steel; corrosion resistance class III (in accordance with Z-30.3-6) for horizontal load distribution (compression) of suspended precast reinforced concrete elements.

Slab size  $W \times H \times D = \dots$  [cm]

Wall cavity  $b = \dots$  [cm]

Thread size  $M \dots$  [cm]

Subject to alternative requirements resulting from subsequent static calculation.



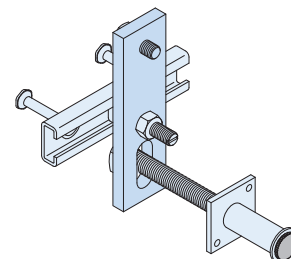
#### HALFEN LD Wind anchor

HALFEN LD Wind anchor; load group 2.0 or similar for suction restraint of façade elements anchor in steel; corrosion resistance class III (in accordance with Z-30.3-6) for horizontal load distribution (tensile and compression) of suspended precast reinforced concrete elements in combination with HALFEN DS 13 Spacer bolts.

Wall cavity  $b = \dots$  [cm]

Structural wall thickness  $d = \dots$  [cm]

Subject to alternative requirements resulting from subsequent static calculation.



# HALFEN CONCRETE FAÇADE ANCHOR SYSTEMS

## Tender Specification

### HALFEN HFV Dowel restraints in plastic

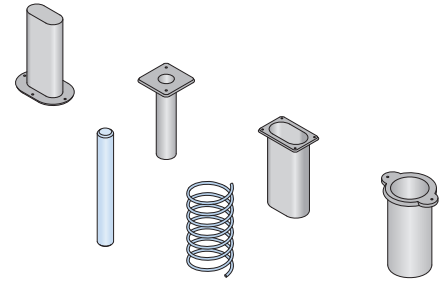
HALFEN HFV Dowel restraints .../.../... (e.g. 5/3/9) load group 2.5 with sleeve in plastic or similar to support the façade slab from below.

Upper and lower part: plastic; Pin; steel, corrosion resistance class III (in accordance with Z-30.3-6) for horizontal load distribution (tensile and compression) of suspended precast reinforced concrete elements

Slab thickness  $D = \dots$  [cm]

Optional spiral reinforcement for dowel restraints HFV B - ...

Subject to alternative requirements resulting from subsequent static calculation.



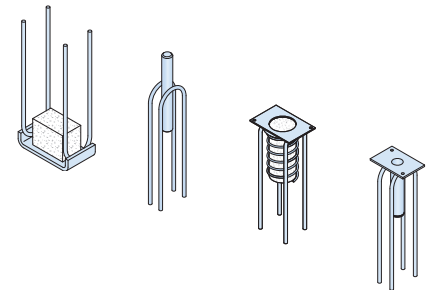
### HALFEN HFV Dowel restraints in stainless steel

HALFEN HFV Dowel restraints .../.../... (e.g. 8/3/4) load group 2.5 with welded tie-back reinforcement; 100% stainless steel or similar for the lower support of the façade slab.

Complete set (upper- and lower-part- plus dowel) in steel; corrosion resistance class III (in accordance with Z-30.3-6) for horizontal load distribution (tensile and compression) of suspended precast reinforced concrete elements.

Slab thickness  $D = \dots$  [cm]

Subject to alternative requirements resulting from subsequent static calculation.



### HALFEN BRA-N L4 Parapet anchor (standard version)

HALFEN BRA-N L4 Parapet anchor incl. BRA-M1-... Installation set or similar for fitting to precast reinforced concrete.

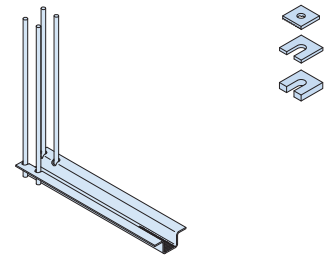
Type tested anchor steel; corrosion resistance class III (in accordance with Z-30.3-6) in standard design.

Load bearing (1 to 8) = ...

Profile length = ... [cm]

Wall clearance  $b = \dots$  [cm]

Subject to alternative requirements resulting from subsequent static calculation.



### HALFEN BRA-NJ L4 Parapet anchor (adjustable)

HALFEN BRA-NJ L4 Parapet anchor incl. BRA-M1-... and BRA-M2-... Installation sets or similar for fitting to precast reinforced concrete.

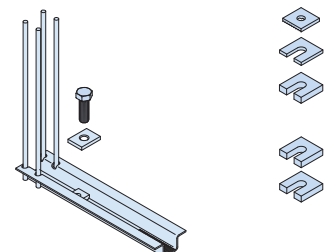
Type tested adjustable anchor in steel; corrosion resistance class III (in accordance with Z-30.3-6) in standard design.

Load bearing (1 to 8) = ...

Profile length = ... [cm]

Wall clearance  $b = \dots$  [cm]

Subject to alternative requirements resulting from subsequent static calculation.



Further tender specifications can be downloaded from our homepage:  
[www.halfen.com](http://www.halfen.com)



# HALFEN CONCRETE FAÇADE ANCHOR SYSTEMS

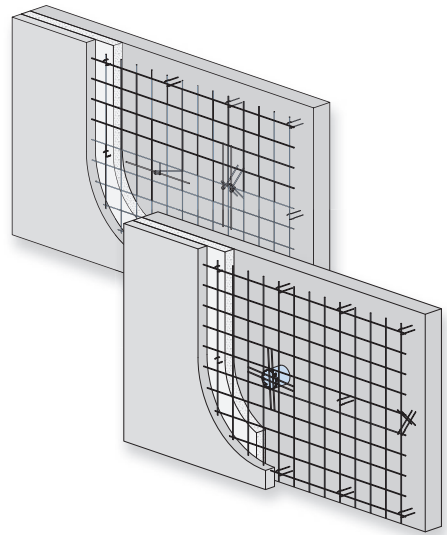
## HALFEN Façade Fixing Systems

### Façade fixing systems for concrete façades

#### HALFEN SP Sandwich panel anchors

Sandwich panel elements combine the static characteristics of a concrete wall with the functional and aesthetic character required for exterior walls. Building authority approved HALFEN Sandwich panel anchors (SP-SPA, SP-FA and SP-MVA) are used to connect the facing slab to the load bearing inner slab.

The insulation is penetrated only by anchors with minimal cross-sections, which result in comparatively minor thermal bridging.



#### Concrete pre-cast system – catalogues on the internet

The catalogues for our concrete pre-cast systems can be found at [www.halfen.com/Downloads/Brochures](http://www.halfen.com/Downloads/Brochures) or simply scan the code and then select the required document

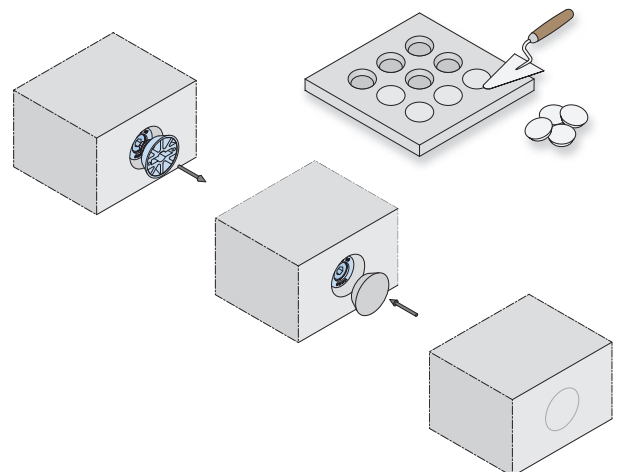
### Transport anchor systems for Concrete façades

#### HD-Anchors

HD-anchors are more compact and slender than conventional standard anchors. The reduced diameters of the sleeve make them flexible in application and particularly suitable for use in thin façade panels.

The integrated thread protector protects against impurities and from water penetration.

The recess fillers, which are made of the same concrete as the cast elements, ensure that the anchors are no longer visible after final transport.



For further information please see our HD-Transport anchor systems catalogue

## CONTACT HALFEN WORLDWIDE

HALFEN is represented by subsidiaries in the following 14 countries, please contact us:

<b>Austria</b>	HALFEN Gesellschaft m.b.H. Leonard-Bernstein-Str. 10 1220 Wien	Phone: +43-1-259 6770 E-Mail: office@halfen.at Internet: www.halfen.at	Fax: +43-1-259-677099
<b>Belgium / Luxembourg</b>	HALFEN N.V. Borkelstraat 131 2900 Schoten	Phone: +32-3-658 07 20 E-Mail: info@halfen.be Internet: www.halfen.be	Fax: +32-3-658 15 33
<b>China</b>	HALFEN Construction Accessories Distribution Co.Ltd. Room 601 Tower D, Vantone Centre No. A6 Chao Yang Men Wai Street Chaoyang District Beijing · P.R. China 100020	Phone: +86-10 5907 3200 E-Mail: info@halfen.cn Internet: www.halfen.cn	Fax: +86-10 5907 3218
<b>Czech Republic</b>	HALFEN s.r.o. Business Center Šafránková Šafránková 1238/1 155 00 Praha 5	Phone: +420-311-690 060 E-Mail: info@halfen-deha.cz Internet: www.halfen-deha.cz	Fax: +420-235-314 308
<b>France</b>	HALFEN S.A.S. 18, rue Goubet 75019 Paris	Phone: +33-1-445231 00 E-Mail: halfen@halfen.fr Internet: www.halfen.fr	Fax: +33-1-445231 52
<b>Germany</b>	HALFEN Vertriebsgesellschaft mbH Liebigstr. 14 40764 Langenfeld	Phone: +49-2173-970-0 E-Mail: info@halfen.de Internet: www.halfen.de	Fax: +49-2173-970 225
<b>Italy</b>	HALFEN S.r.l. Soc. Unipersonale Via F.lli Bronzetti N° 28 24124 Bergamo	Phone: +39-035-0760711 E-Mail: tecnico@halfen.it Internet: www.halfen.it	Fax: +39-035-0760799
<b>Netherlands</b>	HALFEN b.v. Oostermaat 3 7623 CS Borne	Phone: +31-74-267 14 49 E-Mail: info@halfen.nl Internet: www.halfen.nl	Fax: +31-74-267 26 59
<b>Norway</b>	HALFEN AS Postboks 2080 4095 Stavanger	Phone: +47-51 82 34 00 E-Mail: post@halfen.no Internet: www.halfen.no	Fax: +47-51 82 34 01
<b>Poland</b>	HALFEN Sp. z o.o. Ul. Obornicka 287 60-691 Poznan	Phone: +48-61-622 14 14 E-Mail: info@halfen.pl Internet: www.halfen.pl	Fax: +48-61-622 14 15
<b>Sweden</b>	Halfen AB Vädursgatan 5 412 50 Göteborg	Phone: +46-31-98 58 00 E-Mail: info@halfen.se Internet: www.halfen.se	Fax: +46-31-98 58 01
<b>Switzerland</b>	HALFEN Swiss AG Hertistrasse 25 8304 Wallisellen	Phone: +41-44-849 78 78 E-Mail: info@halfen.ch Internet: www.halfen.ch	Fax: +41-44-849 78 79
<b>United Kingdom / Ireland</b>	HALFEN Ltd. A1/A2 Portland Close Houghton Regis LU5 5AW	Phone: +44-1582-47 03 00 E-Mail: info@halfen.co.uk Internet: www.halfen.co.uk	Fax: +44-1582-47 03 04
<b>United States of America</b>	HALFEN USA Inc. 8521 FM 1976 P.O. Box 547 Converse, TX 78109	Phone: +1 800.423.91 40 E-Mail: info@halfenusa.com Internet: www.halfenusa.com	Fax: +1 877.683.4910

Furthermore HALFEN is represented with sales offices and distributors worldwide. Please contact us: [www.halfen.com](http://www.halfen.com)

<b>Australia</b>			
<b>Exclusive distributor</b>	Ancon Building Products 98 Kurrajong Avenue · Mount Druitt Sydney NSW 2770	Phone: +61-2-8808 3100 E-Mail: info@ancon.com.au Web: www.ancon.com.au	Fax: +61-2-9675 3390
<b>New Zealand</b>			
<b>Exclusive distributor</b>	Ancon Building Products 2/19 Nuttall Drive · Hillsborough Christchurch 8022	Phone: +64-3-376 5205 E-Mail: info@ancon.co.nz Web: www.ancon.co.nz	Fax: +64-3-376 5206

### NOTES REGARDING THIS CATALOGUE

**Technical and design changes reserved.** The information in this publication is based on state-of-the-art technology at the time of publication. We reserve the right to make technical and design changes at any time. HALFEN GmbH shall not accept liability for the accuracy of the information in this publication or for any printing errors.

The Quality Management System of Halfen GmbH is certified for the locations in Germany, France, the Netherlands, Austria, Poland, Switzerland and the Czech Republic according to **DIN EN ISO 9001:2008**, Certificate No. QS-281 HH.

